

ELECTRIC VACUUM SEALER

INSTRUCTION MANUAL



Dear consumer, Please read these instructions carefully before use in order to avoid damage due to incorrect use and to better understand the functions of this product. Please pay particular attention to the safety guide. If you pass the device on to a third party, these Operating Instructions must also be handed over. Please keep them for future references.

IMPORTANT SAFEGUARDS

- ❑ Please read these instructions carefully before use.
- ❑ Keep present instructions for future references.
- ❑ Check that your mains voltage corresponds to that stated on the appliance.
- ❑ Only use the appliance for domestic purposes and household or similar applications such as:
 - staff kitchen areas, in shops, offices and other working environments;
 - by clients in hotels, motels and other residential type environments;
 - Environment type like :
 - Farm Houses • Bed and Breakfast.
- ❑ Only use the appliance in the way indicated in these instructions.
- ❑ Never use this unit near bathtub, shower, wash-hand basins or other containers with water.
- ❑ Never use this apparatus near water projections.
- ❑ Never use this apparatus with the wet hands.
- ❑ If, unfortunately the apparatus is wet, immediately withdraw the cord of the socket-outlet.
- ❑ Inform potential users of these instructions.
- ❑ Never leave the appliance unsupervised when in use.
- ❑ The appliance must be used only for its intended purpose. No responsibility can be taken for any possible damage or injury caused by incorrect use or improper handling.
- ❑ Children and persons with disabilities are not always aware of the danger posed by the use of appliances.
- ❑ This appliance can be used by children aged from 8 years and above and persons with reduced physical, sensory or mental

capabilities or lack of experience and knowledge if they have been given supervision or instruction concerning use of the appliance in a safe way and understand the hazards involved. Children shall not play with the appliance. Cleaning and user maintenance shall not be made by children without supervision.

- Always disconnect the appliance from the supply if it is left unattended and before assembling, disassembling or cleaning
- Regarding the instructions for cleaning surfaces in contact with food or oil, thanks to refer to the below paragraph "cleaning and maintenance" in manual.
- In order to ensure your children's safety, please keep all packaging (plastic bags, boxes, polystyrene etc.) out of their reach.
- Caution ! Do not allow small children to play with the foil :
THERE IS A DANGER OF SUFFOCATION !
- From time to time check the cord for damages. Never use the appliance if cord or appliance shows any signs of damage.
- Never immerse the appliance in water or any other liquid for any reason whatsoever.
- Never place it into the dishwasher.
- Never use the appliance near hot surfaces.
- Do not operate the appliance with a damaged cord or plug, or after the appliance has been damaged in any manner.
- If the supply cord or appliance is damaged, it must be replaced by the manufacturer or its service agent or a similarly qualified person in order to avoid a hazard.
- Disconnect the power source cable before any operation of cleaning of maintenance and accessories assembly.
- Never use the appliance outside and always place it in a dry environment.

- ❑ Never use accessories, which are not recommended by the producer. They could constitute a danger to the user and risk to damage the appliance.
- ❑ Never use any other connector than the one provided.
- ❑ Never move the appliance by pulling the cord. Make sure the cord cannot get caught in any way.
- ❑ Never wind the cord around the appliance and do not bend it
- ❑ Ensure that the power cord does not come into contact with hot parts of this unit.
- ❑ Make sure the appliance has cooled down before cleaning and storing it.
- ❑ The temperature of accessible surfaces may be very high when the appliance is operating. Never touch these parts, of apparatus, to avoid burning itself.
- ❑ Make sure the appliance never comes into contact with flammable materials, such as curtains, cloth, etc... & the power cord and plug do not come in contact with water.
- ❑ Before cleaning, always unplug the appliance from the power supply and let it cool down.
- ❑ This appliance is not intended to be operated by means of an external timer or separate remote-control system.
- ❑ Always place the unit on a flat surface. Ensure, also, not to cover the device and not to put anything on it.
- ❑ Always remove the plug from the wall socket when the appliance is not in use.
- ❑ When using an extension lead always make sure that the entire cable is unwound from the reel. Use solely CE approved extension leads. Input power must be at least 16A, 250V, 3000W.
- ❑ Incorrect operation and improper use can damage the appliance and cause injury to the user.

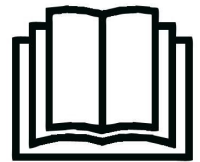
- This device, designed for home use, complies with standards relating to this type of product.
- The appliance must be used and rested on a table or flat & stable surface.
- The item must not be left unattended when it is connected to main supply.
- The item is not to be used, if it has been dropped or if there are visible signs of damage or if it is leaking.
- This appliance is only intended for household use.

SPECIAL WARNINGS FOR THIS APPLIANCE

Wait at least 40 seconds between two sealing operations.
Check that the machine is open before heating to prevent deformation of the seal.

GENERAL INFORMATION

The symbol "OPEN BOOK" means a recommendation to read important things contained in the record.



The symbol "BIN" crossed out, abbreviation WEEE (Waste of Electrical and Electronic Equipment) means that at the end of life, it should not be discarded with household waste, but filed to the sorting of the locality. Waste recovery can help preserve our environment.



The symbol "CE" is the guarantee of compliance with harmonized European standards, voluntary, reflecting the essential requirements into technical specifications.

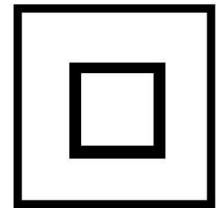


These standards are not mandatory but are guarantees of compliance with essential requirements.

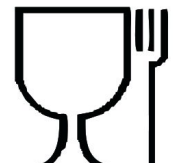
The symbol ROHS (Restriction of use of some Hazardous Substances) on the Environmental Protection, certifies that for each of the five hazardous substances • Lead • Mercury • (hexavalent) chromium • products for protection against flames PBB and PBDE, the peak concentration is equal to or less than 0.1% of the weight of homogeneous material, and 0.01% for the 6th • cadmium.



The symbol "DOUBLE SQUARE" means a double insulated. A basic insulation and supplementary insulation. This device requires no connection to the mass of a protective conductor grounded. The materials are said : double insulation class II.



The symbol "GLASS / FORK" means that the device is compatible and can come into contact with foodstuffs.



The symbol "TRIMAN" indicates that the consumer is invited to dispose the product as part of a separate collection (eg recycling bin, waste, voluntary intake point).



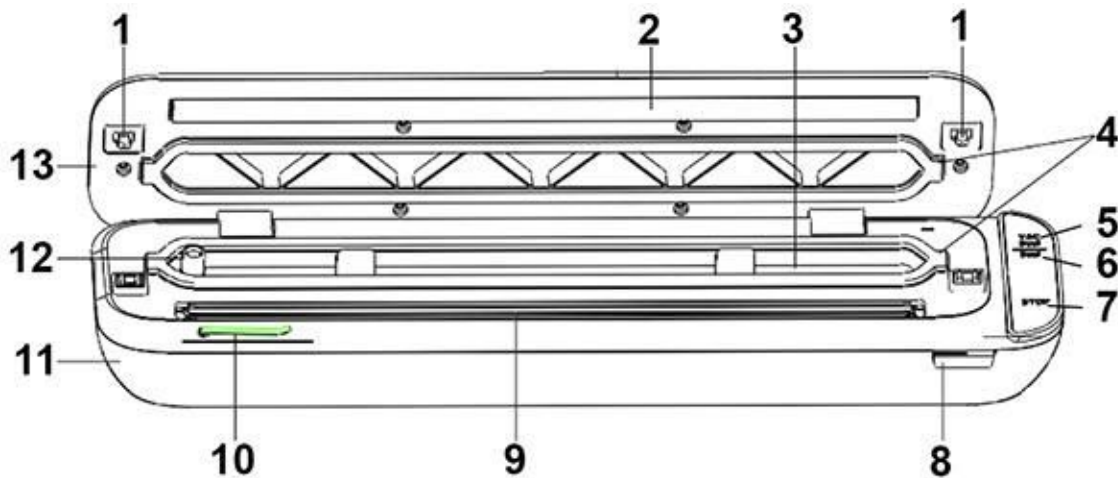
For more information : <http://www.quefairedemesdechets.fr>

BEFORE THE FIRST USE

- remove the appliance and all accessories carefully.
- Clean the outside of the appliance with a damp sponge or cloth and wipe it.

- Install the appliance on a table or flat, stable and horizontal surface. Make sure there is enough space to operate the machine properly.
- Unwind the power cord completely.
- Check that the voltage in the country where you are, corresponds to that indicated on the device.
- Connect the appliance to a good electrical outlet, (earthed if the appliance is class I), to avoid any danger.
- Never modify the device.

TO KNOW THE DEVICE



- | | |
|--|--------------------------------------|
| 1. Locking system | 8. Air release button |
| 2. Rubber band sealing (with the ribbon) | 9. High temperature tape for sealing |
| 3. Vacuum chamber | 10. Metal Clip Clamp |
| 4. Gasket | 11. Base of the device |
| 5. Vacuum + Sealing button | 12. Evacuation of air during vacuum |
| 6. Sealing without vacuum button | 13. Upper part of the device |
| 7. Stop button | |

functions

1. "Vac Seal" / "Seal" Button /

Select the desired function by pressing the side of the key corresponding to the function:

A. Key to vacuum and seal.

The unit will pump the air out of the bag so that the food is "vacuumed" and it will be automatically sealed, as soon as the degree of vacuum is reached.

B. Key to seal only.
the bag will be automatically sealed.

Note : The time interval between two seals must be at least 40 seconds.

2 - "Stop" button

Press this button to stop the unit immediately. Even during the work process.

3 - Indicator lights

Blue indicator light : The unit is in standby mode and turned on.

Red indicator light : The unit is working. The indicator light will turn blue again at the end of the process.

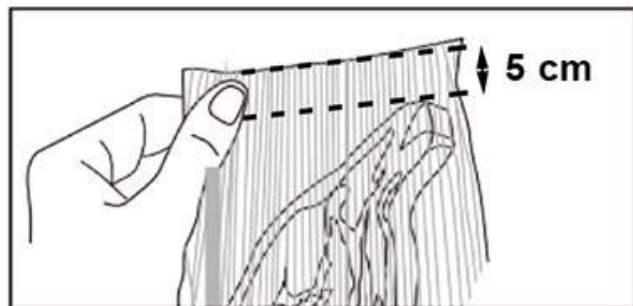
METHOD FOR OPERATING VACUUM SEALING

*Notes : Vacuum bags, striped, less than 30 cm wide may be used with this device.
Use good quality vacuum bags to get better sealing result.
In all cases, use striped vacuum bags.*

USE

1. Place the food in a special vacuum bag (Closed on the opposite side to the opening).

Note : Leave at least 5 cm, between the opening and food, to seal the bag.

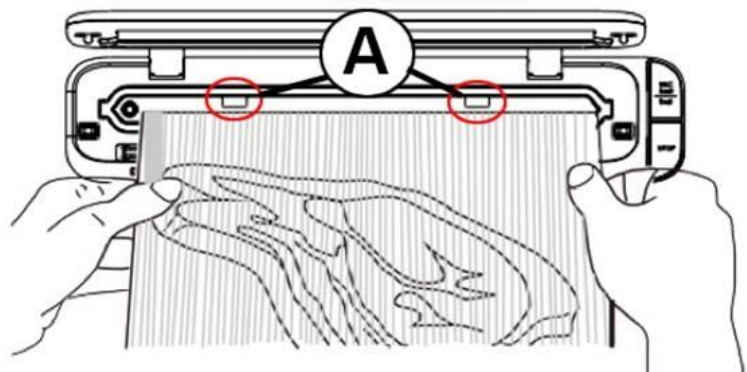


2. Open the top cover,

3. Secure the left side of the sealing bag under the metal clamp (10).

4. Place the bag in the vacuum chamber and ensure that the opening of the bag is flattened.

Note : The opening side of the bag must touch the two vertical pins (A), located inside the vacuum chamber.



(see opposite).

5. Close the top cover and press both sides until you hear a "click" that ensures that the cover is completely locked to the base.
6. Press the "Vacuum / Seal" button (Sous-Vide / Scellage) (5) to activate the vacuum + sealing function. It is also possible to choose the Sealing button only (6) which will seal the bag without creating a vacuum inside.

Notes : The bag will be automatically sealed once the degree of vacuum is reached.

If the device continues to empty air, it is because the device is not hermetic. In this case, press the top cover with your hand to increase the pressure between the 2 parts of the device and make it waterproof.

7. At the end of the operation, the unit returns to standby mode and the indicator light changes from red to blue.
8. Press the Air release button (8) to unlock the unit and the top cover to be opened.
9. Check bag seal area for completeness, smoothness, and leakage.

Note : Fragile foods such as cookies cannot support a high vacuum degree. It is recommended to use the seal function alone to seal only the bag but not to empty the air inside.

CAUTION : To prevent the seal from deforming, do not close the top cover with lock latch when not in use. This would affect the quality of depression during the next use.

CLEANING AND MAINTENANCE

Always switch off the appliance, disconnect the apparatus and let it cool before cleaning.

Clean the outside of the apparatus with a sponge or slightly wet linen.

The parts (removable) in contact with food like bowl, forks, Spatula etc. can be washed in hot water with sponge and soft detergent or put in the dishwasher.

Never plunge the apparatus in water or all other liquid!

Do not use abrasive cleaners, gritting, or metal brush or another cutting object.

STORAGE

-Ensure the unit is completely cool and dry.

-Do not wrap the cord around the appliance, as this will cause damage.

-Keep the appliance in a cool, dry place.

GUARANTEE

Before being delivered, all our products are subjected to a rigorous control.

This apparatus is guaranteed 24 months starting from the date of purchase by the consumer.

The documents in proof of guarantee are :

- The invoice and
- The filled and stamped warrantee plate (located on side or bottom of the gift box).

Without these documents in proof, no free replacement, nor no free repair, can be carried out.

During the warranty period, we deal for free, the defects of the apparatus or the accessories, rising from a defect of materials or manufacture by repair or, replacement. The services within the framework of the guarantee do not involve any extension of the warranty period and does not give right to a new guarantee !

In the event of recourse to the guarantee, bring back the complete apparatus to your retailer, in its original packing, accompanied by the proofs of purchase.

The breakage of parts out of glass or plastic is, in all the cases, not warranted.

Defects on the accessories or the wearing parts (for example: coals of engines, hooks, drive belts, remote control of replacement, teeth brushes of replacement, webs etc) as well as cleaning, maintenance or it replacement of wearing parts are not guaranteed and are thus to pay !

In the event of foreign intervention, the guarantee becomes null and void.

After flow of the warranty period, repairs can be carried out, against payment, by a specialized trade or a repair service.

TROUBLE SHOOTING

Problem	Possible cause	Solutions
Unit Cannot vacuum seal	1. Something wrong with the air pump and it cannot work. 2. The vacuum bag is placed on incorrect position. 3. The vacuum bag is not compatible. 4. The sealing sponge get deformed 5. The vacuum bag leaks 6. Something wrong with	1. Contact with after service to change the air pump. 2. Make sure the bag opening side is placed in the vacuum seal chamber and cannot exceed the two lugs. 3. Replace to compatible bag 4. Press the top cover with your hands when working to check if it can vacuum seal. 5. Replace the bag 6. Contact after service to replace the heating

the heating wire and it cannot heat up	wire
---	------

SPECIFICATIONS

Power supply 220-240V~ 50-60Hz
Power 110W
Norm Class II

Made in PRC

The characteristics can change without prior notice.

CAUTION: In order to minimize the risks of electric shock, In the event of breakdown, not to open the case but to call upon a qualified technician for repairs.

This apparatus satisfied EC directives, it was controlled according to all the European current directives, like: electromagnetic compatibility (EMC) and low tension (LVD).

This apparatus was designed and manufactured in respect of the last safety regulations and technical specifications.

**Imported by Sotech International
" LE PERIPOLE " N°A-107
33, Avenue du Marechal de Lattre de Tassigny
94120 Fontenay sous-bois - France**