

### OIL AND VINEGAR SPRAYER

#### Instruction manual



Dear consumer, Please read these instructions carefully before use in order to avoid damage due to incorrect use and to better understand the functions of this product. Please pay particular attention to the safety guide. If you pass the device on to a third party, these Operating Instructions must also be handed over. Please keep them for future references.

## IMPORTANT SAFEGUARDS

- Please read these instructions carefully before use.
- Keep present instructions for future references.
- Only use the appliance for domestic purposes and household or similar applications such as:
  - staff kitchen areas, in shops, offices and other working environments;
  - By clients in hotels, motels and other residential type environments;
  - Environment type like :
    - Farm Houses • Bed and Breakfast.
- Only use the appliance in the way indicated in these instructions.
- Inform potential users of these instructions.
- Never leave the appliance unsupervised when in use.
- The appliance must be used only for its intended purpose. No responsibility can be taken for any possible damage caused by incorrect use or improper handling.
- This appliance can be used by children aged from 8 years and above and persons with reduced physical, sensory or mental capabilities, or lack of experience and knowledge if they have been given supervision or instruction concerning use of the appliance in a safe way and understand the hazards involved.
- Children shall not play with the appliance.
- Cleaning and user maintenance shall not be made by children without supervision.
- In order to ensure your children's safety, please keep all packaging (plastic bags, boxes, polystyrene etc.) out of their reach.
- Caution ! Do not allow small children to play with the foil :  
**THERE IS A DANGER OF SUFFOCATION !**
- Never immerse the appliance in water or any other liquid for any reason whatsoever.

- ❑ Never place it into the dishwasher.
- ❑ Never use the appliance near hot surfaces.
- ❑ Keep the appliance dry.
- ❑ Never use accessories, which are not recommended by the producer. They could constitute a danger to the user and risk to damage the appliance.
- ❑ The item is not to be used, if it has been dropped or if there are visible signs of damage or if it is leaking.
- ❑ Regarding the instructions for cleaning, thanks to refer to the below paragraph of the manual.
- ❑ This appliance is only intended for household use.

## GENERAL INFORMATION

The symbol "OPEN BOOK" means a recommendation to read important things contained in the record.



The symbol "BIN" crossed out, abbreviation WEEE (Waste of Electrical and Electronic Equipment) means that at the end of life, it should not be discarded with household waste, but filed to the sorting of the locality. Waste recovery can help preserve our environment.



The symbol "CE" is the guarantee of compliance with harmonized European standards, voluntary, reflecting the essential requirements into technical specifications. These standards are not mandatory but are guarantees of compliance with essential requirements.



The symbol ROHS (Restriction of use of some Hazardous Substances) on the Environmental Protection, certifies that for each of the five hazardous substances • Lead • Mercury • (hexavalent) chromium • products for protection against flames PBB and PBDE,



the peak concentration is equal to or less than 0.1% of the weight of homogeneous material, and 0.01% for the 6th • cadmium.

The symbol "TRIMAN" indicates that the consumer is invited to dispose the product as part of a separate collection (eg recycling bin, waste, voluntary intake point).



For more information : <http://www.quefairedemesdechets.fr>

## CLEANING MAINTENANCE & STORAGE

- Clean the outside of the apparatus with a sponge or slightly wet linen.
- Never plunge the apparatus in water or all other liquid!
- Do not use abrasive cleaners, gritting, or metal brush or another cutting object.
- Remove the pumping unit. Spread the top of the bottles slightly and slide one up and the other down to separate them.
- To wash bottles with water and dish soap :
  - Fill the two bottles with 1/3 warm water and a small amount of washing up liquid.
  - Hang and fix the bottles together.
  - Put the pump back in place and pump several times until no liquid remains.
  - Fill the bottles again with warm water only and pump the water to rinse and clean the pump system of previously used washing up liquid.
  - Dry before reassembling the parts.

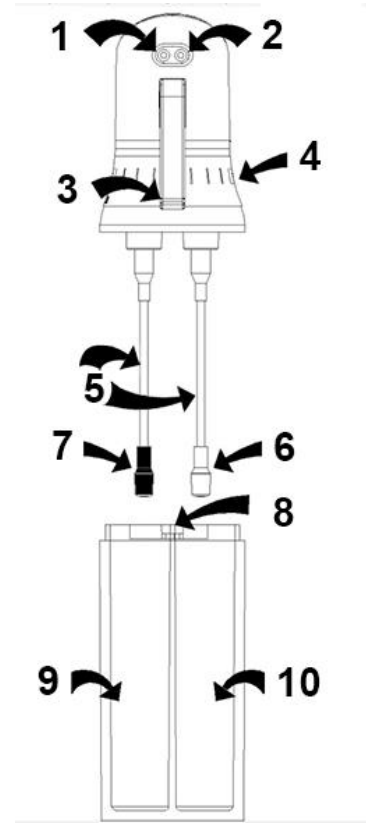
*Notes : Use a dish brush or sponge if necessary.*

*The parts are not dishwasher safe.*

- Keep the appliance in a cool, dry place and out of reach from children.

## KNOW YOUR DEVICE

1. Vinegar outlet
2. Oil outlet
3. Handle to activate the spraying
4. Adjustable movable scale
5. Immersion tubes
6. White tip for soaking in oil
7. Black tip to soak in vinegar
8. Transparent tanks
9. Vinegar tank
10. Oil tank



## FIRST USE

- . Remove the pump for cleaning.
- . Grasp the pump by the dosing scale, turn it counter clockwise and lift it.
- . Clean all parts according to the instructions in section " Cleaning and maintenance ".
- . Hang the two containers together and fill the one marked "Oil" with oil the one marked "Vinegar" with vinegar.

*Notes : Each bottle can hold 100ml.*

*Oil and vinegar must not contain spices or any solid as it may block the spray function.*

- . Put the pump back in place.

*Note : Make sure that the tube with the white pump filter (at the end of the tube), is placed in the bottle with oil and the tube with the black pump filter (at the end of the tube), is placed in the bottle with vinegar.*

- . Turn the pump clockwise to lock it.
- . Adjust the dosage (see below) and pump out the oil and / or vinegar by repeatedly pressing the trigger.
- . The fineness of the diffusion of the oil and / or vinegar depends on the speed at which the trigger is pressed.

For a fine application of the oil and vinegar, pull the trigger quickly.

For a thicker application, pull the trigger slower and more gently.

**NOTE : IT IS RECOMMENDED TO KEEP THE TANKS FILLED 80% FOR OPTIMAL OPERATION.**

## DOSAGE

For the same amount of oil and vinegar, turn the pump-head so that the arrow marks 50/50 on the dosage scale.

For oil only, turn the pump head so that the arrow marks 100% towards the oil bottle.

For vinegar only, turn the pump head so that the arrow marks 100% towards the vinegar bottle.

*Notes : Between the two settings 100%, or 50% in the middle, it is possible to make your own percentage of oil and vinegar mixture in turning + or - the pump head.*

*For best results, use a fine oil at temperature ambient. Thicker and / or colder oil may cause spray single rather than a spray.*

### Tips

- . Spray oil in a skillet or baking pan before you start frying or cooking for a low-fat cooking.
- . Spray on salad or pasta.
- . Spray a barbecue plancha or coated surface.

### **Never spray on an open fire!**

- . Store the sprayer at normal room temperature.
- . Do not leave exposed to direct sunlight.

## GUARANTEE

Before being delivered, all our products are subjected to a rigorous control.

This apparatus is guaranteed 24 months starting from the date of purchase by the consumer.

The documents in proof of guarantee are :

- The invoice and
- The filled and stamped warrantee plate (located on side or bottom of the gift box). Without these documents in proof, no free replacement, nor no free repair, can be carried out.

During the warranty period, we deal for free, the defects of the apparatus or the accessories, rising from a defect of materials or manufacture by repair or, replacement. The services within the framework of the guarantee do not involve any extension of the warranty period and does not give right to a new guarantee ! In the event of recourse to the guarantee, bring back the complete apparatus to your retailer, in its original packing, accompanied by the proofs of purchase.

The breakage of parts out of glass or plastic is, in all the cases, not warranted.

Defects on the accessories or the wearing parts (for example: coals of engines, hooks, drive belts, remote control of replacement, teeth brushes of replacement, webs etc) as well as cleaning, maintenance or it replacement of wearing parts are not guaranteed and are thus to pay !

In the event of foreign intervention, the guarantee becomes null and void.

After flow of the warranty period, repairs can be carried out, against payment, by a specialized trade or a repair service.

**Imported by Sotech International  
" LE PERIPOLE " N°A-107  
33, Avenue du Marechal de Lattre de Tassigny  
94120 Fontenay sous-bois – France**

The symbol " CMIM " is the guarantee of compliance with optional harmonized **Moroccan** Standards, which reflect the essential requirements in terms of technical specifications.

These standards are not mandatory but ensuring compliance with the essential requirements.

