

DIGITAL MICROWAVE OVEN WITH GRILL / COMBO

INSTRUCTION MANUAL



Dear consumer, Please read these instructions carefully before use in order to avoid damage due to incorrect use and to better understand the functions of this product. Please pay particular attention to the safety guide. If you pass the device on to a third party, these Operating Instructions must also be handed over. Please keep them for future references.



IMPORTANT SAFEGUARDS

- ❑ Please read these instructions carefully before use.
- ❑ Keep present instructions for future references.
- ❑ Check that your mains voltage corresponds to that stated on the appliance.
- ❑ Only use the appliance for domestic purposes and household or similar applications such as:
 - staff kitchen areas, in shops, offices and other working environments;
 - By clients in hotels, motels and other residential type environments;
 - Environment type like :
 - Farm Houses • Bed and Breakfast.
- ❑ Only use the appliance in the way indicated in these instructions.
- ❑ Never use this unit near bathtub, shower, wash-hand basins or other containers with water.
- ❑ Never use this apparatus near water projections.
- ❑ Never use this apparatus with the wet hands.
- ❑ If, unfortunately the apparatus is wet, immediately withdraw the cord of the socket-outlet.
- ❑ Inform potential users of these instructions.
- ❑ Never leave the appliance unsupervised when in use.
- ❑ The appliance must be used only for its intended purpose. No responsibility can be taken for any possible damage caused by incorrect use or improper handling.
- ❑ Children and persons with disabilities are not always aware of the danger posed by the use of appliances.
- ❑ This appliance can be used by children aged from 8 years and above if they have been given supervision or instruction

concerning use of the appliance in a safe way and if they understand the hazards involved.

- Children shall not play with the appliance.
- Cleaning and user maintenance shall not be made by children unless they are older than 8 and supervised.
- Keep the appliance and its cord out of reach of children less than 8 years.
- This appliance is not intended for built-in use.
- In order to ensure your children's safety, please keep all packaging (plastic bags, boxes, polystyrene etc.) out of their reach.
- Caution ! Do not allow small children to play with the foil :
THERE IS A DANGER OF SUFFOCATION !
- From time to time check the cord for damages. Never use the appliance if cord or appliance shows any signs of damage.
- Never immerse the appliance in water or any other liquid for any reason whatsoever.
- Never place it into the dishwasher.
- Never use the appliance near hot surfaces.
- Do not operate the appliance with a damaged cord or plug, or after the appliance has been damaged in any manner. If the supply cord or appliance is damaged, it must be replaced by the manufacturer or its service agent or a similarly qualified person in order to avoid a hazard.
- Disconnect the power source cable before any operation of cleaning of maintenance and accessories assembly.
- Never use the appliance outside and always place it in a dry environment.
- Never use accessories, which are not recommended by the producer. They could constitute a danger to the user and risk to damage the appliance.

- ❑ Never use any other connector than the one provided.
- ❑ Never move the appliance by pulling the cord. Make sure the cord cannot get caught in any way.
- ❑ Never wind the cord around the appliance and do not bend it
- ❑ Ensure that the power cord does not come into contact with hot parts of this unit.
- ❑ Make sure the appliance has cooled down before cleaning and storing it.
- ❑ The temperature of accessible surfaces may be very high when the appliance is operating. Never touch these parts, of apparatus, to avoid burning itself.
- ❑ Make sure the appliance never comes into contact with flammable materials, such as curtains, cloth, etc...& the power cord and plug do not come in contact with water.
- ❑ Before cleaning, always unplug the appliance from the power supply and let it cool down.
- ❑ This appliance is not intended to be operated by means of an external timer or separate remote-control system.
- ❑ Always place the unit on a flat surface. Ensure, also, not to cover the device and not to put anything on it.
- ❑ Always remove the plug from the wall socket when the appliance is not in use.
- ❑ When using an extension lead always make sure that the entire cable is unwound from the reel. Use solely CE approved extension leads. Input power must be at least 16A, 250V, 3000W.
- ❑ Incorrect operation and improper use can damage the appliance and cause injury to the user.
- ❑ This device, designed for home use, complies with standards relating to this type of product.

- The appliance must be used and rested on a table or flat & stable surface.
- The item must not be left unattended when it is connected to main supply.
- The item is not to be used, if it has been dropped or if there are visible signs of damage or if it is leaking.
- Regarding the instructions for cleaning, thanks to refer to the below paragraph of the manual.
- This appliance is only intended for household use.
- Warning: Avoid spilling on the connector.
There is a potential risk of injury if used incorrectly.
The surface of the heating element may remain hot for some time after use.

(*) **Competent qualified person** : after sales department of the producer or importer or any person who is qualified, approved and competent to perform this

SPECIFIC WARNING FOR MICROWAVE

- If the door or door seals are damaged, the oven must not be operated until it has been repaired by a competent person.
- It is hazardous for anyone other than a competent person to carry out any service or repair operation that involves the removal of a cover which gives protection against exposure to microwave energy
- Liquids and other foods must not be heated in hermetically sealed containers due to the risk of explosion.
- If smoke is emitted, stop or unplug the oven and keep the door closed to extinguish potential flames

- Heating drinks with a microwave can cause abrupt and delayed spurting of boiling liquids. Precautions must also be taken when handling the container.
- The contents of baby feeding bottles and food containers must be stirred or shaken and the temperature must be checked prior to consumption. in order to avoid burns.'
- Do not give permission to children to use the oven unsupervised unless they have received appropriate instructions which ensure that the child can use the oven safely and understands the hazards associated with an improper use
- It is not advised to heat eggs in their shells nor hard-boiled eggs in a microwave. due to the risk of explosion. even after cooking is complete
- It is advised to clean the oven regularly and to remove all food deposits: if the appliance is not kept sufficiently clean. its surface could degrade, which could inexorably affect appliance life span and lead to a hazard
- This appliance is intended to be used freestanding and shall not be placed in a cabinet. Make sure to leave a clearing distance of 30cm above the appliance, 10cm at the sides.
- Only use utensils that are suitable for use in microwave ovens
- When heating food in plastic or paper containers, keep an eye on the oven due to the possibility of ignition
- The microwave oven is intended for heating food and beverages. Drying of food or clothing and heating of warming pads, slippers, sponges, damp cloth and similar may lead to risk of injury, ignition or fire.
- Metallic containers for food and beverages are not allowed during microwave cooking.
- The appliance shall not be cleaned with a steam cleaner.

This appliance is from group 2 & class B

- This item is group 2 as it intentionally generates radio-frequency energy for heating food or stuff.
- This item is class B as it is suitable for use in locations in residential environments and in establishments directly connected to a low voltage power supply network which supplies buildings used for domestic purposes.

CLEANING AND CARE

1. Turn off the oven and remove the power plug from the wall socket before cleaning.
2. Keep the inside of the oven clean. When food splatters or spilled liquids adhere to oven walls, wipe with a damp cloth. Mild detergent may be used if the oven gets very dirty. Avoid the use of spray and other harsh cleaners as they may stain, streak or dull the door surface.
3. The outside surfaces should be cleaned with a damp cloth. To prevent damage to the operating parts inside the oven, water should not be allowed to seep into the ventilation openings.
4. Wipe the door and window on both sides, the door seals and adjacent parts frequently with a damp cloth to remove any spills or spatters. Do not use abrasive cleaner.
5. Do not allow the control panel to become wet. Clean with a soft, damp cloth. When cleaning the control panel, leave oven door open to prevent oven from accidentally turning on.
6. If steam accumulates inside or around the outside of the oven door, wipe with a soft cloth. This may occur when the microwave oven is operated under high humidity condition.

And it is normal.

7. It is occasionally necessary to remove the glass tray for cleaning. Wash the tray in warm sudsy water or in a dishwasher.
8. The parts (removable) in contact with food like plate, bowl, forks, Spatula etc. can be washed in hot water with sponge and soft detergent or put in the dishwasher.
9. The roller ring and oven floor should be cleaned regularly to avoid excessive noise. Simply wipe the bottom surface of the oven with mild detergent. The roller ring may be washed in mild sudsy water or dishwasher. When removing the roller ring from cavity floor for cleaning, be sure to replace in the proper position.
10. Remove odours from your oven by combining a cup of water with the juice and skin of one lemon in a deep microwaveable bowl, microwave for 5 minutes. Wipe thoroughly and dry with a soft cloth.
11. When it becomes necessary to replace the oven light, please consult a dealer to have it replaced.
12. The oven should be cleaned regularly and any food deposits removed. Failure to maintain the oven in a clean condition could lead to deterioration of the surface that could adversely affect the life of the appliance and possibly result in a hazardous.
13. Please do not dispose this appliance into the domestic rubbish bin; it should be disposed to the particular disposal centre provided by the municipalities

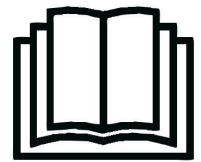
Tip : To remove some lingering cooking odours, place a microwave compatible bowl with water, lemon juice, and lemon juice.

Operate the unit for 5 min at full power.

Remove the bowl carefully.

GENERAL INFORMATION

The symbol "OPEN BOOK" means a recommendation to read important things contained in the record.



The symbol "BIN" crossed out, abbreviation WEEE (Waste of Electrical and Electronic Equipment) means that at the end of life, it should not be discarded with household waste, but filed to the sorting of the locality. Waste recovery can help preserve our environment.



The symbol "CE" is the guarantee of compliance with harmonized European standards, voluntary, reflecting the essential requirements into technical specifications. These standards are not mandatory but are guarantees of compliance with essential requirements.



The symbol "GLASS / FORK" means that the device is compatible and can come into contact with foodstuffs.



The symbol "HOT SURFACE" warns the user that the walls of the unit can become very hot, and to take precautions as required.

The symbol ROHS (Restriction of use of some Hazardous Substances) on the Environmental Protection, certifies that for each of the five hazardous substances • Lead • Mercury • (hexavalent) chromium • products for protection against flames PBB and PBDE, the peak concentration is equal to or less than 0.1% of the weight of homogeneous material, and 0.01% for the 6th • cadmium.



The symbol "TRIMAN" indicates that the consumer is invited to dispose the product as part of a separate collection (eg recycling bin, waste, voluntary intake point).



For more information : <http://www.quefairedemesdechets.fr>

PRECAUTIONS TO AVOID POSSIBLE EXPOSURE TO EXCESSIVE MICROWAVE ENERGY

- Do not attempt to operate this oven with the door open since open door operation can result in harmful exposure to microwave energy. It is important not to defeat or tamper with the safety interlocks.
- To reduce the risk of fire in the cavity,
 - Do not overcook the food.
 - Remove twisted metal wires from paper or plastic bags before placing them in the oven.
 - Do not heat oil or grease as the temperature cannot be controlled.
- Do not place any object between the oven front face and the door or allow soil

or cleaner residue to accumulate on sealing surfaces.

- Do not operate the oven if it is damaged.
- It must be no damage to:
 - The door (It is particularly important that the oven door closes properly).
 - The latch and hinges.
 - Joints.

Note: The oven must be repaired only by qualified personnel.

INSTALLATION

Make sure that all the packing materials are removed from the inside of the door. Check the oven for any damage, such as misaligned or bent door, damaged door seals and sealing surface, broken or loose door hinges and latches and dents inside the cavity or on the door. If there is any damage, do not operate the oven and contact qualified service personnel.

This microwave oven must be placed on a flat, stable surface to hold its weight and the heaviest food likely to be cooked in the oven.

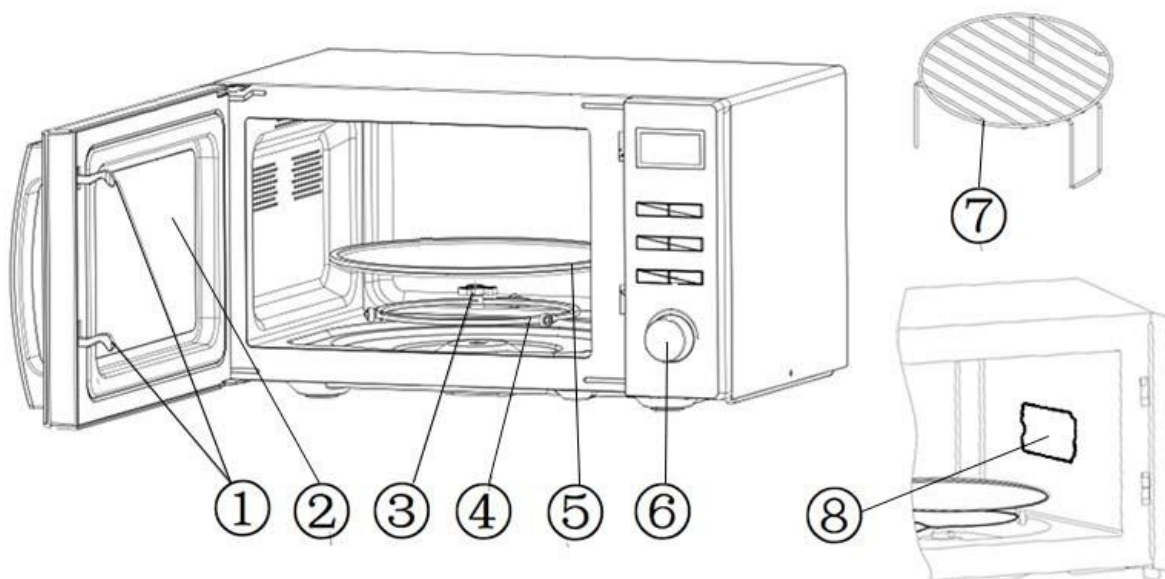
Do not place the oven where heat, moisture, or high humidity are generated, or near combustible materials.

For correct operation, the oven must have sufficient airflow. Make sure to leave a clearing distance of 30cm above the appliance, 10cm at the sides. Do not cover or block any openings on the appliance. Do not remove feet.

Do not operate the oven without glass tray, roller support, and shaft in their proper positions.

The socket must be readily accessible so that it can be easily unplugged in an emergency.

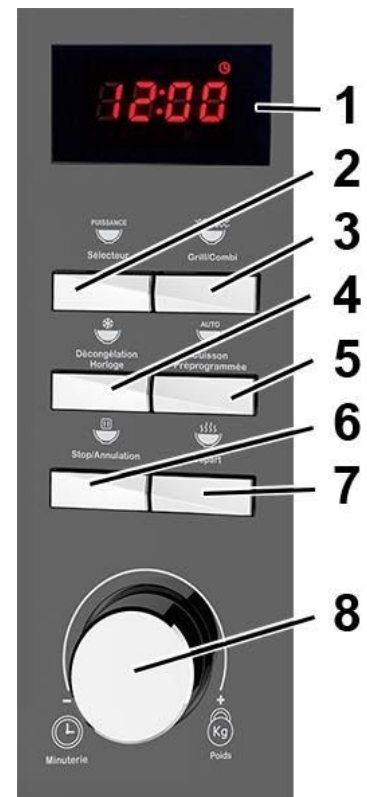
TO KNOW THE APPLIANCE



1. Door security locking system
2. Glass door
3. Tray rotation axis
4. Rolling crown
5. Glass turntable
6. Control Panel (details below)
7. Grid for grill
8. Microwaves guide cover
(do not remove the mica plate covering the waveguide)

CONTROL PANEL

1. LED screen
2. Power selector
3. Grill - Combination grill / oven
4. Defrosting + Clock Adjustment
5. Preprogrammed cooking
6. Stop or Cancel
7. Start
8. Cook time selection button
and weight of food to cook



CLOCK SETTING

The "Defrost / Clock " button is used to enter the local time and / or the programmable cooking time => When " : " flashes on the LED display (after connecting the appliance).

Example: To set the clock to 12:30		
	PROGRESS OF THE OPERATION	DISPLAY

1	After power on, both dots flash	:
2	Press the "Defrost / Clock" button for 3 seconds	0:00
3	Turn the "Timer / Weight" knob to set the correct time	12:00
4	Appuyer de nouveau sur le bouton « Décongélation / Horloge » pour régler les minutes	12:30
5	Press the "Defrost / Clock" button again to set the minutes	12:30
6	Press the "Defrost / Clock" button again to confirm the selection.	

- 1 After turning on the power, the two red dots ":" flash.
- 2 Press the "Defrost / Clock" button and hold for 3 seconds. The screen shows 0:00
- 3 Turn the "Timer / Weight" knob to set the correct time. 12:00
- 4 Press the "Defrost / Clock" button again to set the minutes 12h: 00
- 5 Turn the "Timer / Weight" knob to set the exact minutes. 12:30 pm (in the example)
- 6 Press the "Defrost / Clock" button again to confirm the choice, or wait for 5 seconds and the unit will display itself for 12H30.

Note: This key has two functions

1. Set the clock; Hold down this button for 3 seconds
2. Set the defrost menu; Press the key once to enter the defrost mode.

GETTING STARTED

The LED blinks 3 times when connected. Then the " : " symbol flashes, prompting you to enter the cooking menu and duration.

TIME / WEIGHT BUTTON

It is possible to increase or decrease the cooking time and the programmed weight during operation by turning the knob « Minuterie / Poids ». "Timer / Weight".

PAUSE / CANCEL

At the initial stage, press once to cancel the programs already installed and resume the initial step.

During cooking, pressing once on "Pause" momentarily stops oven operation.

Press "Pause" twice to cancel the cooking program.

RECALL OF END OF COOKING

When cooking is complete, the LED display will show "End" and three beeps will sound to prompt you to take the food out of the oven.

Press the "Pause / Cancel" button once or open the door to stop the beeps.

Note : Without opening the door or pressing "Pause" the beeps will sound every 3 minutes.

INSTANT COOKING

In standby mode, press the "Start" button, the oven will start "express" cooking with high power.

The pre-set cooking time is one minute.

Note : It is possible to increase or decrease the cooking time by turning the " Timer / Weight " button.

MICROWAVE COOKING

This function is used for cooking and for heating food.

Press the "Power selector" (« Sélecteur de puissance »), the LED display flashes to indicate the chosen power. Each press changes the power as follows : 100% - 80% - 60% - 40% - 20% and back to 100%.

POWER ADJUSTMENT TABLE

FULL POWER	100% power in microwaves. Applicable for fast and complete cooking.
HIGH POWER	80% of power in microwaves. Applicable for cooking a little slower.
MIDDLE POWER	60% of power in microwaves. Applicable for cooking food with steam.
LOW POWER	40% of power in microwaves. Applicable for thawing food.
VERY LOW POWER	20% microwave power. Applicable to keep food warm.

Baking example: Power 80% for 10 minutes.

	PROGRESS OF THE OPERATION	SCREEN
1	After power on, both dots flash	:

2	Select the power of the microwave	80P
3	Set the cooking time to 10 minutes	10:00
4	Press the "Start" key	

1 After power up, both dots flash ":"

2 Select the desired microwave power by pressing the "Power selector" key successively until you reach 80P on the display.

3 Set the cooking time by turning the "Timer / Weight" knob. 10:00

4 Press the "Start" button to start the device. The LED display shows the countdown.

PRECAUTIONS

The maximum adjustable cooking time is 60 minutes.

Never use the grill (7) during microwave cooking.

Never operate the oven when it's empty.

In use at maximum microwave power, the oven will automatically lower itself after a certain cooking time to extend its life.

PROGRAMS

GRILL AND COMBINATION GRILL / OVEN

The "G" Grill function is used for grilling foods.

Press the "Grill / Combi" key, The LED display shows successively

G => C1 => C2 and return to => G.

G Grill function, the heating element will be activated during the heating operation. Applicable for grilling fine meats or pork, sausages, chicken wings and get a golden color.

C1 Combination of grill and microwave cooking.
30% of the time in microwaves and 70% of the cooking time.

C2 Combination of grill and microwave cooking.
55% of the time in microwaves and 45% of the time for grilling.

Cooking example: Grilling food with menu C2 for 10 minutes		
	PROGRESS OF THE OPERATION	SCREEN

1	After power on, both dots flash	:
2	Press the "Grill / Combi" key	80P
3	Set the cooking time to 10 minutes	10:00
4	Press the "Start" key	

Example: Grilling food with menu C2 for 10 minutes

1 After power up, both dots flash ":"

2 Select program C2 by successively pressing the "Grill / Combi" key until C2 appears on the display.

3 Set the cooking time by turning the "Timer / Weight" knob. 10:00

4 Press the "Start" key to start cooking. The LED display shows the countdown.

Notes : In grill and grill / combi mode, all parts of the oven, as well as the grill and cookware can become very hot.

Be careful when removing one or more foods from the oven. Use Potholders or thick kitchen gloves to avoid burns.

THAWING

This function is used to defrost foods.

Press the "Defrost / Clock" button. (« Décongélation / horloge ».)

The LED display will show successively d.1 => d.2 => d.3. and back to d.1.

d.1 To defrost meat, the weight can vary from 100 gr to 2 kg.

d.2 To defrost poultry, the weight can vary from 200 gr to 3 kg.

d.3 To defrost seafood, the weight can vary from 100 to 900 gr.

Example: Thaw 400 gr of poultry		
	PROGRESS OF THE OPERATION	SCREEN
1	After power on, both dots flash	:
2	Press the "Defrost / Clock" button	d2
3	Set the cooking time to 10 minutes	10:00
4	Press the "Start" key	
5	Halfway through defrosting, 3 beeps sound twice to prompt you to return food. Open the door, turn the food around and close the door. Press the "Start" button again to continue defrosting.	

Example: Thaw 400 gr of poultry

1 After turning on the power, both dots flash on the ":" screen

2 Select program d2 by successively pressing the "Defrost / Clock" button until d2 on the display, to set the type of food.

3 Turn the "Timer / Weight" knob to set the defrosting weight 0.4 = 400 gr.

4 Press the "Start" key to start cooking. The LED display shows the countdown.

Note: Halfway through defrost, 3 beeps sound twice to prompt you to return food.

Open the door, turn the food around and close the door.

Press the "Start" button again to continue defrosting.

Notes: It is necessary to return the food being defrosted for get a uniform effect.

Thawing generally requires more time than cooking food.

If food can be cut with a knife, the process of Thawing can be considered finished.

Microwave penetrates about 4 cm into most foods

Thawed foods should be eaten as soon as possible.

It is not recommended to refrigerate or refreeze.

AUTOMATIC COOKING

The oven has programmed cooking menus for easy operation.

When the light flashes twice, press the key « Cuissons Préprogrammées » "Preprogramed Cooking". The LED display indicates A.1.

Note : Each time the button is pressed, the display will show A2 to A.8 and return to A1.

Choose the appropriate menu based on the type and weight of the food.

Follow the instructions in the table below to avoid hazardous cooking.

DISPLA Y	TYPE	METHOD
A 1	POP CORN	Suitable for bursting 80 to 100 gr of corn in Popcorn.
A 2	WARM UP	This setting is suitable for heating 100 to 200g of food.
A 3	DRINK	Suitable for heating a cup of liquid from 250 to 500 ml
A 4	PIZZA	Suitable for heating 1 or 2 parts of pizza.
A 5	POTATOES	Suitable for cooking potatoes.
A 6	FROZEN DISH	Suitable for baking one or two portions of frozen dish.
A 7	RICE	Suitable for baking 100 to 500g of rice.
A 8	VEGETABLE S	Suitable for cooking 100 to 500g of vegetables.

A 1 POP CORN

Suitable for bursting 80 to 100 gr of corn in Popcorn.

A 2 WARM UP

This setting is suitable for heating 100 to 200g of food.

A 3 DRINK

Suitable for heating a cup of liquid from 250 to 500 ml

A 4 PIZZA

Suitable for heating 1 or 2 parts of pizza.

A 5 POTATOES

Suitable for cooking potatoes.

A 6 FROZEN DISH

Suitable for baking one or two portions of frozen dish.

A 7 RICE

Suitable for baking 100 to 500g of rice.

AT 8 VEGETABLES

Suitable for cooking 100 to 500g of vegetables.

Notes : The expected temperature of food before cooking is 20 to 25 ° C.

A higher or lower temperature of food before cooking requires an increase or decrease of the cooking time.

The temperature, weight and shape of foods have a large influence on cooking.

If a significant deviation from the factor indicated in the menu above, is found, adjust the cooking time to obtain the best results.

Example: cook 500 g of rice		
	PROGRESS OF THE OPERATION	DISPLAY
1	After power on, both dots flash	:
2	Press the « Cuissons Préprogrammées » key	A7
3	Set the cooking time to 10 minutes	10:00
4	Press the "Start" key (DÉPART)	

Example : cook 500 g of rice

1 After power up, both dots flash ":"

2 Press the "Preprogrammed Cook" key to set the cooking menu. A.7

3 Set the cooking weight to 0.5 = 500g, by turning the "Timer / Weight" knob (« Minuterie / Poids »)

4 Press the "Start" key (DÉPART) to start cooking. The LED display shows the countdown.

DELAYED AUTOMATIC START

It is possible to program the type of cooking and the start time of the oven.

Once programmed, the microwave will start automatically at the set time.

The setting consists of 2 steps

1. Setting the current clock (unless already done)
2. Setting the cooking type and automatic start time.

Example: it is 12:30

Automatic cooking programming => microwave power of 100P => For 9 minutes and 30 seconds => at 14:20 (= 2.20 PM)

	PROGRESS OF THE OPERATION	DISPLAY
1	After power on, both dots flash	:
1.1	Press the "Defrost / Clock" button for 3 seconds	0:00
1.2	Turn the "Timer / Weight" knob to set the correct time	12:00
1.3	Appuyer de nouveau sur le bouton « Décongélation / Horloge » pour régler les minutes	12:30
1.4	Press the "Defrost / Clock" button again to set the minutes	12:30
1.5	Press the "Defrost / Clock" button again to confirm the selection.	
	SETTING THE POWER AND START TIME	
2	POWER SETTING	
2.1	Press the "Power Selector" button	100P
2.2	Turn the "Timer / Weight" knob to set the cooking time	9:30
2.3	Press the "Defrost / Clock" button for 3 seconds to return to the local time.	0:00
3	STARTING TIME SETTING	
3.1	Repeat steps 1.2, 1.3, 1.4.	
3.2	Press once the "Defrost / Clock" button to confirm the programed delayed start.	14:20
	After 5 seconds the device will display the local time = 12:30.	12:30
4	To check the programmed start time, Press the "Defrost / Clock" button once.	14:20

Example: It is now 12:30,

You want the microwave to automatically start cooking :

1. Has a microwave power of 100P
2. For 9 minutes and 30 seconds
3. At 14.20 (2.20 PM)

1 Set the local time (if necessary) see paragraph: setting the clock.

2 Set power and cooking time and start time.

2.1 Select the cooking power by pressing the "Power Selector" button and the display shows 100P

Note: Each press changes the power as follows: 100% - 80% - 60% - 40% - 20% and return to 100%.

2.2 Turn the "Timer / Weight" knob to set the cooking time = 9:30 minutes

2.3 Press the "Defrost / Clock" button for 3 seconds to return to the local time.

3 Set the time the oven should start cooking.

3.1 Repeat steps 1.2, 1.3, 1.4.

3.2 Press the "Defrost / Clock" button once to confirm the delayed start time.

Note : Now the program has been activated. And the menu will start at 14:20.

4 To check the programmed delay time, press the "Defrost / Clock" button once.

MULTI-SEQUENCE COOKING

For best cooking results, some recipes require several modes and / or cooking times.

It is possible to program a custom menu as follows

Example : cook food in microwave 100P for 3 minutes, then grill for 9 minutes.

This is a setting of 2 sequences.

	PROGRESS OF THE OPERATION	DISPLAY
1	MICROWAVE POWER ADJUSTMENT 3 MIN	
1.1	Press the "Power Selector" button and choose 100P	100P
1.2	Turn the "Timer / Weight" knob to set the cooking time	3:00
2	POWER SETTING	
2.1	Press the "Grill / Combi" key	G
2.2	Turn the "Timer / Weight" knob to set the cooking time for 9 minutes.	9:00
3	Start cooking by pressing the "Start" key	

Example: To cook food in the microwave at 100P for 3 minutes, then grill for 9 minutes. This is a setting of 2 sequences.

1 Microwave 100P for 3min

- 1.1 Press the "Power Selector" button ("Sélecteur de Puissance") and select the 100P power level.
- 1.2 Turn the "Timer / Weight" knob (« Minuterie / Poids ») to set the cooking time.

2 Grill for 9min

- 2.1 Press the "Grill / Combi" key to select the desired menu. (G in this case).
- 2.2 Turn the "Timer / Weight" knob to set the cooking time. That's 9:00 minutes.

3 Start cooking by pressing the "Start" key.

*Notes : When microwaving is complete, the oven will automatically start to grill.
Up to 4 sequences can be defined per cooking.*

CHILD LOCK FUNCTION

Use this function to lock the control panel when cleaning or so that children cannot use the unattended oven.

Note : All buttons are unusable in this mode.

- 1) Lock : Press and hold the "Pause / Cancel" button for 3 seconds
- 2) Unlock : Hold the same "Pause / Cancel" button for 3 seconds.

UTENSILS GUIDE

1. The ideal material for the microwave is the one that lets the waves through best. This allows the waves to heat the food directly.

2. The waves cannot penetrate the metal.

Therefore, do not use metal or metal-lined cookware.

3. Do not use recycled paper, it may contain metal particles that could cause sparks and / or fire.

4. Round or oval dishes are preferable to square or square dishes because the food in the corners tends to overcook.

5, Small aluminum strips can be used to avoid overcooking exposed parts of the food. Be very careful and leave a space of at least 2.5 cm between the aluminum and the cavity of the device.

The following list will help you select the right utensils.

Glass with high heat resistance.	Yes
Ceramic with high heat resistance.	Yes
Baking paper	Yes

Glass without heat resistance	No
Plastic dish for microwave	No
Metal tray	No
Metal grid	No
Aluminum paper and utensils	No

UTENSILS FOR USE IN THE MICROWAVE OVEN

- . ALUMINUM : Small amounts can be used to cover small pieces of meat or poultry to prevent them from overcooking.
An electric arc can occur if the aluminum foil is too close to the oven walls. A minimum space of 2.5 cm is necessary.
- . FLAT FOR GRATIN : follow the manufacturer's instructions. The bottom of the dish should be at least 5 mm above the turntable. Misuse can break the turntable.
- . DISHES : use only that provided for the microwave oven. Follow the manufacturer's instructions. Do not use cracked or chipped dish.
- . GLASS BOTTLE : Always remove the lid. Only use to warm up. Most glass bottles do not stand up to strong heat and can break.
- . GLASS CONTAINERS : Use only those provided for the microwave oven. Make sure there is no metal edge. Do not use cracked containers.
- . OVEN BAG : Follow manufacturer's instructions. Do not close with a metal tie. Open slots to let the steam escape.
- . PAPER PLATE AND GLASS : use only for heating and not for cooking. Always monitor the oven when using them.
- . PAPER TOWEL : Use to cover food and absorb fat. To be used under supervision for a short time.
- . PLASTIC : use only the plastic provided for the microwave oven. Follow the manufacturer's instructions. Some containers soften when the food they contain is very hot. All cooking bags must be drilled or split as indicated on their packaging.
- . PLASTIC FILM : use only those provided for the microwave oven. Use to cover the food during cooking to avoid drying out food.
Do not let the plastic touch the food.
- . THERMOMETER : use only those provided for the microwave oven (meat thermometer or candy).
- . SULFURIZED PAPER : Use as a lid to prevent splattering and drying out of food.

UTENSILS WHICH MUST NEVER BE USED IN THE MICRO WAVE OVEN

- . ALUMINUM TRAY : it may cause a large electric arc.
=> Place the food on a suitable dish.
- . BOX CARDBOARD OR HANDLE METAL : they can cause an arc.
=> Place the food on a suitable dish.
- . METAL OR METAL SURFACES : The metal prevents the diffusion of microwaves. The metal can cause an arc.
- . METAL LINKS : they can cause an arc and ignite in the oven.
- . PAPER BAGS : they can ignite in the oven.
- . PLASTIC FOAM : it can melt and contaminate the liquid if it is exposed to a high temperature.
- . WOOD : Dry wood when used in a microwave oven and can split and crack.

RADIO INTERFERENCE

Operation of the microwave oven can cause interference to your radio, TV, or similar equipment.

When there is interference, it may be reduced or eliminated by taking the following measures:

Clean door and sealing surface of the oven.

Reorient the receiving antenna of radio or television.

Relocate the microwave oven with respect to the receiver.

Move the microwave oven away from the receiver.

Plug the microwave oven into a different outlet so that microwave oven and receiver are on different branch circuits.

MICROWAVE COOKING PRINCIPLES

Arrange food carefully. Place thickest areas towards outside of dish.

Watch cooking time. Cook for the shortest amount of time indicated and add more as needed. Food severely overcooked can smoke or ignite.

Cover foods while cooking. Covers prevent spattering and help foods to cook evenly.

Turn foods over once during microwave cooking to speed cooking of such foods as chicken and hamburgers. Large items like roasts must be turned over at least once.

Rearrange foods such as meatballs halfway through cooking both from top to bottom and from the centre of the dish to the outside.

THIS APPLIANCE MUST BE CONNECTED TO AN ELECTRICAL PLUG WITH GROUNDING

1. The wall outlet must be within range of the power cable.
2. This oven requires 1.3 KVA to operate. We recommend consulting a technician when installing the oven.
3. This microwave oven is RELATIVELY HEAVY and should be placed on a horizontal surface strong enough to support its weight.
4. The oven should be protected from high temperatures and steam.
5. DO NOT place any object on the oven.
6. Do not remove the drive shaft from the turntable
7. As with any electrical appliance, close supervision is necessary when used by children.

SAFETY INSTRUCTIONS FOR DAILY USE

As with all appliances, certain rules and precautions must be followed to ensure optimum oven performance.

1. Make sure that the glass plate, roller arms (under the plate) are in place when you operate the oven.
2. Use the oven ONLY for food preparation.
3. The oven is prohibited from any metal object or for sterilization purposes.
4. Do not run the oven empty, as this may damage the unit.
5. Do not use the inside of the oven as a storage space that may be forgotten during use.
6. Do not cook foods that are surrounded by a membrane, such as egg yolks, chicken livers, and the like, without piercing this membrane several times with a fork.
7. Do not insert objects into the outer openings of the case.
8. Never remove oven parts such as feet, fittings, screws, etc.
9. Never put food directly on the glass plate.
10. Place the food in or on a suitable container before putting in the oven.

BEFORE CONTACTING ASSISTANCE

1. If the microwave does not work and the display does not appear or disappear:
 - a) Check that the oven is correctly connected. If it is not, disconnect the plug from the wall outlet, wait 10 seconds and reconnect it.
 - b) Check the electrical installation by checking for a blown fuse or if the circuit breaker is tripped.

- c) If everything seems to be working properly, test the wall outlet with another device.
2. The microwave does not heat up
- a) Ensure that the door is properly closed and that the safety interlocks are engaged.
- Note : In the opposite case, the energy of the microwaves will not flow in the oven.*
- b) This oven is protected by an internal fuse of 250V and 8 amperes. Check if it is in good condition.

***Note : IF NO OF THE ABOVE OPERATIONS RESUME THE SITUATION,
CONTACT AN AGREED MAINTENANCE AGENT.***

STORAGE

- Ensure the unit is completely cool and dry.
- Do not wrap the cord around the appliance, as this will cause damage.
- Keep the appliance in a cool, dry place.

GUARANTEE

Before being delivered, all our products are subjected to a rigorous control. This apparatus is guaranteed 24 months starting from the date of purchase by the consumer.

The documents in proof of guarantee are :

- The invoice and
- The filled and stamped warrantee plate (located on side or bottom of the gift box). Without these documents in proof, no free replacement, nor no free repair, can be carried out.

During the warranty period, we deal for free, the defects of the apparatus or the accessories, rising from a defect of materials or manufacture by repair or, replacement. The services within the framework of the guarantee do not involve any extension of the warranty period and does not give right to a new guarantee ! In the event of recourse to the guarantee, bring back the complete apparatus to your retailer, in its original packing, accompanied by the proofs of purchase.

The breakage of parts out of glass or plastic is, in all the cases, not warranted. Defects on the accessories or the wearing parts (for example: coals of engines, hooks, drive belts, remote control of replacement, teeth brushes of replacement, webs etc) as well as cleaning, maintenance or it replacement of wearing parts are not guaranteed and are thus to pay !

In the event of foreign intervention, the guarantee becomes null and void.

After flow of the warranty period, repairs can be carried out, against payment, by a specialized trade or a repair service.

RESERVED FOR MAINTENANCE SERVICE OR REPAIR

MICROWAVE RADIATION

1. The high voltage capacitor remains charged after disconnection.
2. Short-circuit the negative terminal of the HV capacitor on the oven frame (use a screwdriver) to discharge it before touching it.
3. During maintenance, the parts listed below are likely to be removed and give access to potentials greater than 250V to earth.
 - Magnetron
 - High voltage transformer
 - High voltage capacitor
 - High voltage diode
 - High-voltage fuse

3. The following conditions may cause excessive exposure to microwaves during maintenance.

- Incorrect adjustment of the magnetron.
- Incorrect adaptation of the door lock.
- Of hinge and door.
- Incorrect installation of the switch holder.
- If the door, the door seal or housing has been damaged.

SPECIFICATIONS

Power supply	230V~ 50Hz
Input Power	1400W
Grill	1000W
Norm	Class I
Frequency	2450MHz
Capacity	25 Litres
Cooking system	rotate tray

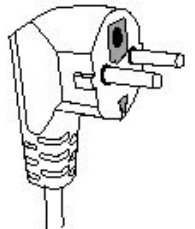
Made in P.R.C

The characteristics can change without prior notice.

This unit is equipped with an electrical outlet with earth and must be earthed in an according plug.

Note : In the event of question concerning the earth or electric connection, please consult a qualified personnel.

In the event of short-circuit, earthing reduces the risk of electric shock while making possible the current to be evacuated by the wire of ground.



CAUTION: In order to minimize the risks of electric shock, In the event of breakdown, not to open the case but to call upon a qualified technician for repairs.

This device complies with EC directives, it was controlled according to all current European directives, applicable such as: electromagnetic compatibility (EMC) and low voltage (LVD).

This device has been designed and manufactured in compliance with the latest regulations and technical requirements for safety.

**Imported by Sotech International
" LE PERIPOLE " N°A-107
33, Avenue du Marechal de Lattre de Tassigny
94120 Fontenay sous-bois - France**