

# MICROWAVE OVEN

## INSTRUCTION MANUAL



**TMO-2532**



**TMO-2539**



Dear consumer, Please read these instructions carefully before use in order to avoid damage due to incorrect use and to better understand the functions of this product. Please pay particular attention to the safety guide. If you pass the device on to a third party, these Operating Instructions must also be handed over. Please keep them for future references.

## IMPORTANT SAFEGUARDS

- ❑ Please read these instructions carefully before use.
- ❑ Keep present instructions for future references.
- ❑ Check that your mains voltage corresponds to that stated on the appliance.
- ❑ Only use the appliance for domestic purposes and household or similar applications such as:
  - staff kitchen areas, in shops, offices and other working environments;
  - By clients in hotels, motels and other residential type environments;
  - Environment type like :
    - Farm Houses • Bed and Breakfast.
- ❑ Only use the appliance in the way indicated in these instructions.
- ❑ Never use this unit near bathtub, shower, wash-hand basins or other containers with water.
- ❑ Never use this apparatus near water projections.
- ❑ Never use this apparatus with the wet hands.
- ❑ If, unfortunately the apparatus is wet, immediately withdraw the cord of the socket-outlet.
- ❑ Inform potential users of these instructions.
- ❑ Never leave the appliance unsupervised when in use.
- ❑ The appliance must be used only for its intended purpose. No responsibility can be taken for any possible damage caused by incorrect use or improper handling.
- ❑ Children and persons with disabilities are not always aware of the danger posed by the use of appliances.
- ❑ This appliance can be used by children aged from 8 years and above if they have been given supervision or instruction

concerning use of the appliance in a safe way and if they understand the hazards involved.

- Children shall not play with the appliance.
- Cleaning and user maintenance shall not be made by children unless they are older than 8 and supervised.
- Keep the appliance and its cord out of reach of children less than 8 years.
- This appliance is not intended for built-in use.
- In order to ensure your children's safety, please keep all packaging (plastic bags, boxes, polystyrene etc.) out of their reach.
- Caution ! Do not allow small children to play with the foil :  
**THERE IS A DANGER OF SUFFOCATION !**
- From time to time check the cord for damages. Never use the appliance if cord or appliance shows any signs of damage.
- Never immerse the appliance in water or any other liquid for any reason whatsoever.
- Never place it into the dishwasher.
- Never use the appliance near hot surfaces.
- Do not operate the appliance with a damaged cord or plug, or after the appliance has been damaged in any manner. If the supply cord or appliance is damaged, it must be replaced by the manufacturer or its service agent or a similarly qualified person in order to avoid a hazard.
- Disconnect the power source cable before any operation of cleaning of maintenance and accessories assembly.
- Never use the appliance outside and always place it in a dry environment.
- Never use accessories, which are not recommended by the producer. They could constitute a danger to the user and risk to damage the appliance.

- ❑ Never use any other connector than the one provided.
- ❑ Never move the appliance by pulling the cord. Make sure the cord cannot get caught in any way.
- ❑ Never wind the cord around the appliance and do not bend it
- ❑ Ensure that the power cord does not come into contact with hot parts of this unit.
- ❑ Make sure the appliance has cooled down before cleaning and storing it.
- ❑ The temperature of accessible surfaces may be very high when the appliance is operating. Never touch these parts, of apparatus, to avoid burning itself.
- ❑ Make sure the appliance never comes into contact with flammable materials, such as curtains, cloth, etc...& the power cord and plug do not come in contact with water.
- ❑ Before cleaning, always unplug the appliance from the power supply and let it cool down.
- ❑ This appliance is not intended to be operated by means of an external timer or separate remote-control system.
- ❑ Always place the unit on a flat surface. Ensure, also, not to cover the device and not to put anything on it.
- ❑ Always remove the plug from the wall socket when the appliance is not in use.
- ❑ When using an extension lead always make sure that the entire cable is unwound from the reel. Use solely CE approved extension leads. Input power must be at least 16A, 250V, 3000W.
- ❑ Incorrect operation and improper use can damage the appliance and cause injury to the user.
- ❑ This device, designed for home use, complies with standards relating to this type of product.

- The appliance must be used and rested on a table or flat & stable surface.
- The item must not be left unattended when it is connected to main supply.
- The item is not to be used, if it has been dropped or if there are visible signs of damage or if it is leaking.
- Regarding the instructions for cleaning, thanks to refer to the below paragraph of the manual.
- This appliance is only intended for household use.
- Warning: Avoid spilling on the connector.  
There is a potential risk of injury if used incorrectly.  
The surface of the heating element may remain hot for some time after use.

(\*) **Competent qualified person** : after sales department of the producer or importer or any person who is qualified, approved and competent to perform this

## **SPECIFIC WARNING FOR MICROWAVE**

- If the door or door seals are damaged, the oven must not be operated until it has been repaired by a competent person.
- It is hazardous for anyone other than a competent person to carry out any service or repair operation that involves the removal of a cover which gives protection against exposure to microwave energy
- Liquids and other foods must not be heated in hermetically sealed containers due to the risk of explosion.
- If smoke is emitted, stop or unplug the oven and keep the door closed to extinguish potential flames

- Heating drinks with a microwave can cause abrupt and delayed spurting of boiling liquids. Precautions must also be taken when handling the container.
- The contents of baby feeding bottles and food containers must be stirred or shaken and the temperature must be checked prior to consumption. in order to avoid burns.'
- Do not give permission to children to use the oven unsupervised unless they have received appropriate instructions which ensure that the child can use the oven safely and understands the hazards associated with an improper use
- It is not advised to heat eggs in their shells nor hard-boiled eggs in a microwave. due to the risk of explosion. even after cooking is complete
- It is advised to clean the oven regularly and to remove all food deposits: if the appliance is not kept sufficiently clean. its surface could degrade, which could inexorably affect appliance life span and lead to a hazard
- This appliance is intended to be used freestanding and shall not be placed in a cabinet. Make sure to leave a clearing distance of 30cm above the appliance, 10cm at the sides.
- Only use utensils that are suitable for use in microwave ovens
- When heating food in plastic or paper containers, keep an eye on the oven due to the possibility of ignition
- The microwave oven is intended for heating food and beverages. Drying of food or clothing and heating of warming pads, slippers, sponges, damp cloth and similar may lead to risk of injury, ignition or fire.
- Metallic containers for food and beverages are not allowed during microwave cooking.
- The appliance shall not be cleaned with a steam cleaner.

This appliance is from group 2 & class B

- This item is group 2 as it intentionally generates radio-frequency energy for heating food or stuff.
- This item is class B as it is suitable for use in locations in residential environments and in establishments directly connected to a low voltage power supply network which supplies buildings used for domestic purposes.

## **CLEANING AND CARE**

1. Turn off the oven and remove the power plug from the wall socket before cleaning.
2. Keep the inside of the oven clean. When food splatters or spilled liquids adhere to oven walls, wipe with a damp cloth. Mild detergent may be used if the oven gets very dirty. Avoid the use of spray and other harsh cleaners as they may stain, streak or dull the door surface.
3. The outside surfaces should be cleaned with a damp cloth. To prevent damage to the operating parts inside the oven, water should not be allowed to seep into the ventilation openings.
4. Wipe the door and window on both sides, the door seals and adjacent parts frequently with a damp cloth to remove any spills or spatters. Do not use abrasive cleaner.
5. Do not allow the control panel to become wet. Clean with a soft, damp cloth. When cleaning the control panel, leave oven door open to prevent oven from accidentally turning on.
6. If steam accumulates inside or around the outside of the oven door, wipe with a soft cloth. This may occur when the microwave oven is operated under high humidity condition.

And it is normal.

7. It is occasionally necessary to remove the glass tray for cleaning. Wash the tray in warm sudsy water or in a dishwasher.
8. The parts (removable) in contact with food like plate, bowl, forks, Spatula etc. can be washed in hot water with sponge and soft detergent or put in the dishwasher.
9. The roller ring and oven floor should be cleaned regularly to avoid excessive noise. Simply wipe the bottom surface of the oven with mild detergent. The roller ring may be washed in mild sudsy water or dishwasher. When removing the roller ring from cavity floor for cleaning, be sure to replace in the proper position.
10. Remove odours from your oven by combining a cup of water with the juice and skin of one lemon in a deep microwaveable bowl, microwave for 5 minutes. Wipe thoroughly and dry with a soft cloth.
11. When it becomes necessary to replace the oven light, please consult a dealer to have it replaced.
12. The oven should be cleaned regularly and any food deposits removed. Failure to maintain the oven in a clean condition could lead to deterioration of the surface that could adversely affect the life of the appliance and possibly result in a hazardous.
13. Please do not dispose this appliance into the domestic rubbish bin; it should be disposed to the particular disposal centre provided by the municipalities

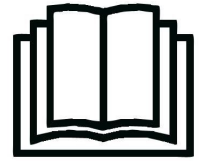
Tip : To remove some lingering cooking odours, place a microwave compatible bowl with water, lemon juice, and lemon juice.

Operate the unit for 5 min at full power.

Remove the bowl carefully.

## GENERAL INFORMATION

The symbol "OPEN BOOK" means a recommendation to read important things contained in the record.



The symbol "BIN" crossed out, abbreviation WEEE (Waste of Electrical and Electronic Equipment) means that at the end of life, it should not be discarded with household waste, but filed to the sorting of the locality. Waste recovery can help preserve our environment.



The symbol "CE" is the guarantee of compliance with harmonized European standards, voluntary, reflecting the essential requirements into technical specifications. These standards are not mandatory but are guarantees of compliance with essential requirements.



The symbol "GLASS / FORK" means that the device is compatible and can come into contact with foodstuffs.



The symbol "HOT SURFACE" warns the user that the walls of the unit can become very hot, and to take precautions as required.



The symbol ROHS (Restriction of use of some Hazardous Substances) on the Environmental Protection, certifies that for each of the five hazardous substances • Lead • Mercury • (hexavalent) chromium • products for protection against flames PBB and PBDE,



the peak concentration is equal to or less than 0.1% of the weight of homogeneous material, and 0.01% for the 6th • cadmium.

The symbol "TRIMAN" indicates that the consumer is invited to dispose the product as part of a separate collection (eg recycling bin, waste, voluntary intake point).



For more information : <http://www.quefairedemesdechets.fr>

### **EXCESSIVE MICROWAVE ENERGY**

- Do not attempt to operate this oven with the door open since open door operation can result in harmful exposure to microwave energy. It is important not to defeat or tamper with the safety interlocks.
- To reduce the risk of fire in the cavity,
  - Do not overcook the food.
  - Remove twisted metal wires from paper or plastic bags before placing them in the oven.
  - Do not heat oil or grease as the temperature cannot be controlled.
- Do not place any object between the oven front face and the door or allow soil or cleaner residue to accumulate on sealing surfaces.
- Do not operate the oven if it is damaged.
- It must be no damage to:
  - The door (It is particularly important that the oven door closes properly).
  - The latch and hinges.
  - Joints.

*Note: The oven must be repaired only by qualified personnel.*

### **INSTALLATION**

Make sure that all the packing materials are removed from the inside of the door.  
**WARNING:** Check the oven for any damage, such as misaligned or bent door, damaged door seals and sealing surface, broken or loose door hinges and latches

and dents inside the cavity or on the door. If there is any damage, do not operate the oven and contact qualified service personnel.

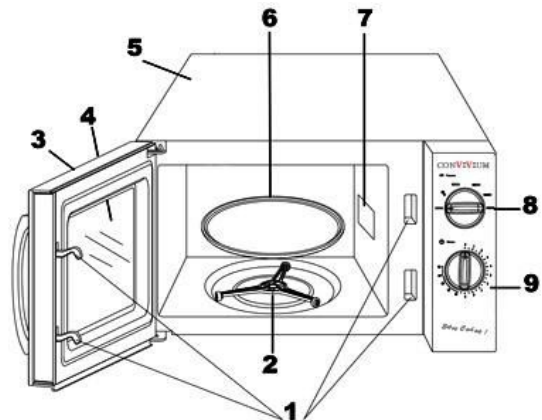
This microwave oven must be placed on a flat, stable surface to hold its weight and the heaviest food likely to be cooked in the oven.

Do not place the oven where heat, moisture, or high humidity are generated, or near combustible materials.

1. For correct operation, the oven must have sufficient airflow. Make sure to leave a clearing distance of 30cm above the appliance, 10cm at the sides. Do not cover or block any openings on the appliance. Do not remove feet.
2. Do not operate the oven without glass tray, roller support, and shaft in their proper positions.
3. Make sure that the power supply cord is undamaged and does not run under the oven or over any hot or sharp surface.
4. The socket must be readily accessible so that it can be easily unplugged in an emergency.
5. Do not use the oven outdoors.

### TO KNOW THE APPLIANCE

1. Door Safety Lock System
2. Turntable Roller
3. Oven door
4. Oven Window
5. Housing unit
6. Glass Tray
7. Waves guide
8. Power selector
9. Timer



### RADIO INTERFERENCE

Operation of the microwave oven can cause interference to your radio, TV, or similar equipment.

When there is interference, it may be reduced or eliminated by taking the following measures:

Clean door and sealing surface of the oven.

Reorient the receiving antenna of radio or television.

Relocate the microwave oven with respect to the receiver.

Move the microwave oven away from the receiver.

Plug the microwave oven into a different outlet so that microwave oven and receiver are on different branch circuits.

## MICROWAVE COOKING PRINCIPLES

Arrange food carefully. Place thickest areas towards outside of dish.

Watch cooking time. Cook for the shortest amount of time indicated and add more as needed. Food severely overcooked can smoke or ignite.

Cover foods while cooking. Covers prevent spattering and help foods to cook evenly.

Turn foods over once during microwave cooking to speed cooking of such foods as chicken and hamburgers. Large items like roasts must be turned over at least once.

Rearrange foods such as meatballs halfway through cooking both from top to bottom and from the centre of the dish to the outside.

### THIS APPLIANCE MUST BE CONNECTED TO AN ELECTRICAL PLUG WITH GROUNDING

1. The wall outlet must be within range of the power cable.
2. This oven requires 1.3 KVA to operate. We recommend consulting a technician when installing the oven.
3. This microwave oven is RELATIVELY HEAVY and should be placed on a horizontal surface strong enough to support its weight.
4. The oven should be protected from high temperatures and steam.
5. DO NOT place any object on the oven.
6. Do not remove the drive shaft from the turntable
7. As with any electrical appliance, close supervision is necessary when used by children.

## CONTROL PANEL

The control panel is divided into 2 functions; time control and power control.

### Timer

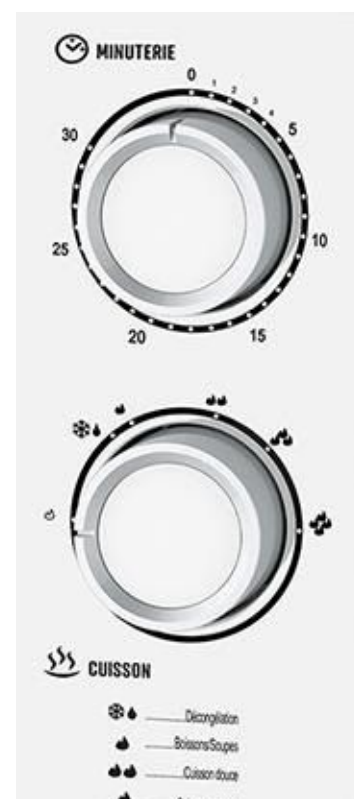
Selecting the cooking time

Choose the cooking time from 1 to 30 minutes.

### Cooking

Power selection

Use this button to select the desired power level. This is the first step to start cooking



## Logos

Meaning of the pictograms



Thawing

Strong cooking (max)



Drinks and soups



Soft cooking



Keeping warm



Normal cooking



## UTENSILS GUIDE

1. The ideal material for the microwave is the one that lets the waves through best. This allows the waves to heat the food directly.

2. The waves cannot penetrate the metal.

Therefore, do not use metal or metal-lined cookware.

3. Do not use recycled paper, it may contain metal particles that could cause sparks and / or fire.

4. Round or oval dishes are preferable to square or square dishes because the food in the corners tends to overcook.

5, Small aluminum strips can be used to avoid overcooking exposed parts of the food. Be very careful and leave a space of at least 2.5 cm between the aluminum and the cavity of the device.

The following list will help you select the right utensils.

Glass with high heat resistance.	Yes
Ceramic with high heat resistance.	Yes
Baking paper	Yes

<b>Glass without heat resistance</b>	<b>No</b>
<b>Plastic dish for microwave</b>	<b>No</b>
<b>Metal tray</b>	<b>No</b>

**Metal grid**  
**Aluminum paper and utensils**

**No**  
**No**

## MICROWAVE COOKING

For true microwave cooking, there are 5 power levels from which you can choose the one that best suits you.

The power level increases by turning the knob clockwise.

### THAWING

PRODUCT	WEIGHT SCALE	TIME OF DEFROSTATION
MEAT	0.1~1.0kg	1:30~26:00 Minutes
POULTRY	0.2~1.0kg	2:30~22:00 Minutes
SEEFOOD	0.1~0.9kg	1:30~14:00 Minutes

*This advice is given for information only. It is always better to refer to one's own experience.*

### USE

- Unroll the power cord completely.
- Check that the tension in force in the country where you are corresponds to that indicated on the apparatus.
- Connect the apparatus in a correct socket-outlet, (and connected to the ground if the unit is Class I), to avoid any danger.
- Disconnect the power source cable before any operation of cleaning of maintenance and accessories assembly.
- Never modify the appliance in anyway.

To start a cooking session,

1. Place food in oven and close the door.
2. Turn Power Selector to select a power level.
3. Use Timer knob to set a cooking time

*Notes :*

- *As soon as the timer is turned, oven starts cooking.*
  - *When selecting time for less than 2 minutes, turn timer past 2 minutes and then return to the correct time.*
4. To remove or control food while cooking, open the oven door or reset the timer to 0.

5. To stop oven during cooking process, open the door by the handle or turn the time selector to 0.

## **COOKING TIPS**

The following factors may affect the result of cooking

### **Placing food on the board.**

Place the thicker areas towards the outside of the dish, the thinnest part towards the centre and spread the ingredients as evenly as possible. Do not overlap if possible.

### **Cooking time**

Start the cooking with a short time, evaluate it after the expiration of the time and extend it according to real needs.

*Note : Too much cooking can cause smoke and burns.*

### **Cook food evenly**

Foods such as chicken, hamburgers or steak should be turned once halfway through cooking. Depending on the type of food, mix them one or two times from the outside to the centre of the dish while cooking.

### **Provide rest time**

When cooking is completed, leave the food in the microwave oven for a sufficient time, which will allow them to cool slightly.

### **Know if the food is cooked**

The colour and hardness of the food help to determine if cooking is sufficient.

Especially :

- Steam coming out of all parts of the food, not just from the edge.
- Poultry joints can be easily detached.
- Pork or poultry does not show any bleeding.
- The fish is opaque and can be sliced easily with a fork.

### **Microwave plastic packaging**

When cooking high-fat foods, do not allow plastic wrap to come in contact with food as it may melt.

### **Microwave plastic kitchen utensil**

Some microwave-safe plastic cookware may not be suitable for cooking foods high in fat and sugar. The warm-up time specified in the dish user manual must not be exceeded.

## **STORAGE**

-Ensure the unit is completely cool and dry.

- Do not wrap the cord around the appliance, as this will cause damage.
- Keep the appliance in a cool, dry place.

## **GUARANTEE**

Before being delivered, all our products are subjected to a rigorous control. This apparatus is guaranteed 24 months starting from the date of purchase by the consumer.

The documents in proof of guarantee are :

- The invoice and
- The filled and stamped warrantee plate (located on side or bottom of the gift box). Without these documents in proof, no free replacement, nor no free repair, can be carried out.

During the warranty period, we deal for free, the defects of the apparatus or the accessories, rising from a defect of materials or manufacture by repair or, replacement. The services within the framework of the guarantee do not involve any extension of the warranty period and does not give right to a new guarantee ! In the event of recourse to the guarantee, bring back the complete apparatus to your retailer, in its original packing, accompanied by the proofs of purchase.

The breakage of parts out of glass or plastic is, in all the cases, not warranted. Defects on the accessories or the wearing parts (for example: coals of engines, hooks, drive belts, remote control of replacement, teeth brushes of replacement, webs etc) as well as cleaning, maintenance or it replacement of wearing parts are not guaranteed and are thus to pay !

In the event of foreign intervention, the guarantee becomes null and void.

After flow of the warranty period, repairs can be carried out, against payment, by a specialized trade or a repair service.

## **BEFORE CALLING FOR SERVICE**

If the oven fails to operate:

Check to ensure that the oven is plugged in securely. If it is not, remove the plug from the outlet, wait 10 seconds, and plug it in again securely.

Check for a blown circuit fuse or a tripped main circuit breaker. If these seem to be operating properly, test the outlet with another appliance.

Check to ensure that the control panel is programmed correctly and the timer is set.

Check to ensure that the door is securely closed engaging the door safety lock system.

⇒ Otherwise, the microwave energy will flow out of the oven.

IF NONE OF THE ABOVE RECTIFIES THE SITUATION, THEN CONTACT A QUALIFIED TECHNICIAN.

DO NOT TRY TO ADJUST OR REPAIR THE OVEN YOURSELF.

## **RESERVED FOR MAINTENANCE SERVICE OR REPAIR**

### **MICROWAVE RADIATION**

1. The high voltage capacitor remains charged after disconnection.
2. Short-circuit the negative terminal of the HV capacitor on the oven frame (use a screwdriver) to discharge it before touching it.
3. During maintenance, the parts listed below are likely to be removed and give access to potentials greater than 250V to earth.

- Magnetron
- High voltage transformer
- High voltage capacitor
- High voltage diode
- High-voltage fuse

3. The following conditions may cause excessive exposure to microwaves during maintenance.

- Incorrect adjustment of the magnetron.
- Incorrect adaptation of the door lock.
- Of hinge and door.
- Incorrect installation of the switch holder.
- If the door, the door seal or housing has been damaged.

### **SPECIFICATIONS**

Power supply	230V~ 50Hz
Input Power	1400W
Output power	900W
Norm	Class I
Frequency	2450MHz
Capacity	25 Litres
Cooking system	rotate tray

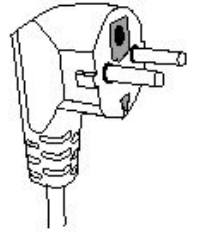
Made in P.R.C

*The characteristics can change without prior notice.*

This unit is equipped with an electrical outlet with earth and must be earthed in an according plug.

*Note : In the event of question concerning the earth or electric connection, please consult a qualified personnel.*

*In the event of short-circuit, earthing reduces the risk of electric shock while making possible the current to be evacuated by the wire of ground.*



**CAUTION:** In order to minimize the risks of electric shock, In the event of breakdown, not to open the case but to call upon a qualified technician for repairs.

This device complies with EC directives, it was controlled according to all current European directives, applicable such as: electromagnetic compatibility (EMC) and low voltage (LVD).

This device has been designed and manufactured in compliance with the latest regulations and technical requirements for safety.

**Imported by Sotech International  
" LE PERIPOLE " N°A-107  
33, Avenue du Marechal de Lattre de Tassigny  
94120 Fontenay sous-bois - France**