

## ELECTRIC MINI CHOPPER

### Instruction manual



**THA-802**



**THA-806**



Dear consumer, please, read these instructions carefully before use in order to avoid damage due to incorrect use and to better understand the functions of this product. Please pay particular attention to the safety guide. If you pass the device on to a third party, these Operating Instructions must also be handed over. Please keep them for future references.

## IMPORTANT SAFEGUARDS

- ❑ Please read these instructions carefully before use.
- ❑ Keep present instructions for future references.
- ❑ Check that your mains voltage corresponds to that stated on the appliance.
- ❑ Only use the appliance for domestic purposes and household or similar applications such as:
  - staff kitchen areas, in shops, offices and other working environments;
  - By clients in hotels, motels and other residential type environments;
  - Environment type like :
    - Farm Houses • Bed and Breakfast.
- ❑ Only use the appliance in the way indicated in these instructions.
- ❑ Never use this unit near bathtub, shower, wash-hand basins or other containers with water.
- ❑ Never use this apparatus near water projections.
- ❑ Never use this apparatus with the wet hands.
- ❑ If, unfortunately the apparatus is wet, immediately withdraw the cord of the socket-outlet.
- ❑ Inform potential users of these instructions.
- ❑ Never leave the appliance unsupervised when in use.
- ❑ The appliance must be used only for its intended purpose. No responsibility can be taken for any possible damage caused by incorrect use or improper handling.
- ❑ Children and persons with disabilities are not always aware of the danger posed by the use of appliances.
- ❑ This appliance shall not be used by children.
- ❑ Keep the appliance and its cord out of reach of children.
- ❑ Appliances can be used by persons with reduced physical, sensory or mental capabilities or lack of experience and knowledge if they have been given supervision or instruction

concerning use of the appliance in a safe way and if they understand the hazards involved.

- ❑ Children shall not play with the appliance
- ❑ In order to ensure your children's safety, please keep all packaging (plastic bags, boxes, polystyrene etc.) out of their reach.
- ❑ Caution! Do not allow small children to play with the foil :  
**THERE IS A DANGER OF SUFFOCATION!**
- ❑ From time to time check the cord for damages. Never use the appliance if cord or appliance shows any signs of damage.
- ❑ Never immerse the appliance in water or any other liquid for any reason whatsoever.
- ❑ Never place it into the dishwasher.
- ❑ Never use the appliance near hot surfaces.
- ❑ Do not operate the appliance with a damaged cord or plug, or after the appliance has been damaged in any manner.
- ❑ If the supply cord or appliance is damaged, it must be replaced by the manufacturer or its service agent or a similarly qualified person in order to avoid a hazard.
- ❑ Disconnect the power source cable before any operation of cleaning of maintenance and accessories assembly.
- ❑ Never use the appliance outside and always place it in a dry environment.
- ❑ Never use accessories, which are not recommended by the producer. They could constitute a danger to the user and risk to damage the appliance.
- ❑ Never use any other connector than the one provided.
- ❑ Never move the appliance by pulling the cord. Make sure the cord cannot get caught in any way.
- ❑ Never wind the cord around the appliance and do not bend it
- ❑ Ensure that the power cord does not come into contact with hot parts of this unit.
- ❑ Make sure the appliance has cooled down before cleaning and storing it.

- The temperature of accessible surfaces may be very high when the appliance is operating. Never touch these parts, of apparatus, to avoid burning itself.
- Make sure the appliance never comes into contact with flammable materials, such as curtains, cloth, etc...& the power cord and plug do not come in contact with water.
- Before cleaning, always unplug the appliance from the power supply and let it cool down.
- This appliance is not intended to be operated by means of an external timer or separate remote-control system.
- Always place the unit on a flat surface. Ensure, also, not to cover the device and not to put anything on it.
- Always remove the plug from the wall socket when the appliance is not in use.
- When using an extension lead always make sure that the entire cable is unwound from the reel. Use solely CE approved extension leads. Input power must be at least 16A, 250V, 3000W.
- Incorrect operation and improper use can damage the appliance and cause injury to the user.
- This device, designed for home use, complies with standards relating to this type of product.
- The appliance must be used and rested on a table or flat & stable surface.
- The item must not be left unattended when it is connected to main supply.
- The item is not to be used, if it has been dropped or if there are visible signs of damage or if it is leaking.
- Regarding the instructions for cleaning, thanks to refer to the below paragraph of the manual.
- This appliance is only intended for household use.

(\*) **Competent qualified person:** after sales department of the producer or importer or any person who is qualified, approved and competent to perform this kind of repairs.

## SPECIAL WARNING FOR CHOPPER

- Always disconnect from power supply if it is left unattended and before assembling, disassembling or during cleaning.
- Switch off the appliance and disconnect from supply before changing accessories approaching parts that move in use.
- Potential injuries can occur with misuse. Care shall be taken when handling the sharp cutting blades, emptying the bowl and during cleaning, as they are extremely sharp.
- Regarding the instructions for cleaning surfaces in contact with food or oil, thanks to refer to the below paragraph "cleaning and maintenance" in manual.
- Regarding the instructions for the use of accessories, operation times and speed settings, refer to the below paragraphs.
- Do not use the device if it is empty
- The plastic bowl should not be heated or put in hot water.
- The plastic bowl should not be used in a microwave.

## GENERAL INFORMATION

The symbol "OPEN BOOK" means a recommendation to read important things contained in the record.



The symbol "BIN" crossed out, abbreviation WEEE (Waste of Electrical and Electronic Equipment) means that at the end of life, it should not be discarded with household waste, but filed to the sorting of the locality. Waste recovery can help preserve our environment.



The symbol "CE" is the guarantee of compliance with harmonized European standards, voluntary, reflecting the essential requirements into technical specifications. These standards are not mandatory

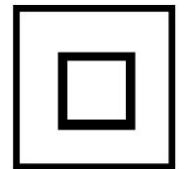


but are guarantees of compliance with essential requirements.

The symbol ROHS (Restriction of use of some Hazardous Substances) on the Environmental Protection, certifies that for each of the five hazardous substances • Lead • Mercury • (hexavalent) chromium • products for protection against flames PBB and PBDE, the peak concentration is equal to or less than 0.1% of the weight of homogeneous material, and 0.01% for the 6th • cadmium.



The symbol "DOUBLE SQUARE" means a double insulated. A basic insulation and supplementary insulation. This device requires no connection to the mass of a protective conductor grounded. The materials are said : double insulation class II.



The symbol "GLASS / FORK" means that the device is compatible and can come into contact with foodstuffs.



The symbol "TRIMAN" indicates that the consumer is invited to dispose the product as part of a separate collection (eg recycling bin, waste, voluntary intake point).



**For more information : <http://www.quefairedemesdechets.fr>**

The symbol " CMIM " is the guarantee of compliance with optional harmonized Moroccan Standards, which reflect the essential requirements in terms of technical specifications.

These standards are not mandatory but ensuring compliance with the essential requirements.



## CLEANING AND MAINTENANCE

Before cleaning, always switch off the appliance, disconnect the apparatus and let it cool.

Clean the outside of the apparatus with a sponge or slightly wet linen.

The parts (removable) in contact with food like plate, bowl, forks, Spatula etc. can be washed in hot water with sponge and soft detergent or put in the dishwasher.

Never plunge the apparatus in water or all other liquid!

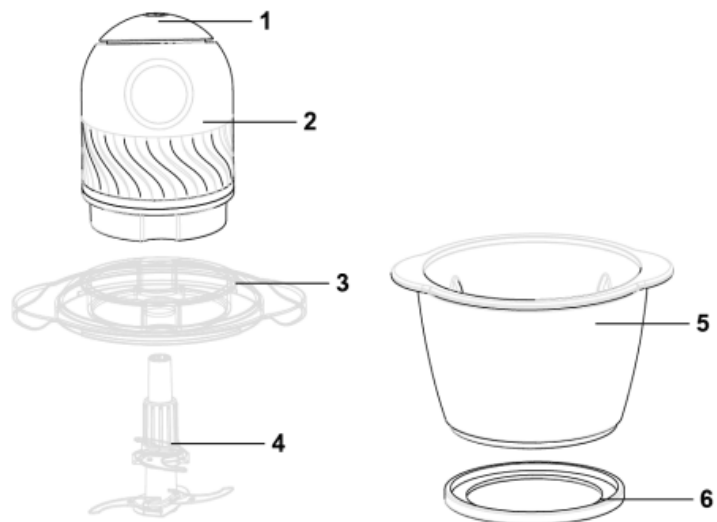
Do not use abrasive cleaners, gritting, or metal brush or another cutting object.

The blade can be cleaned under hot water, warm water and liquid detergent or in the dishwasher.

Caution : Take all necessary precautions when cleaning the blade because it is very sharp and can cause serious cuts !

### TO KNOW ITS UNIT

1. Push Button
2. Motor unit
3. Lid
4. Blade unit
5. Glass bowl
6. Gasket



Item	Part	Function
1	Push button	To control on/off
2	Motor unit	Main unit , power source of appliance
3	Lid	safety protections during operation
4	Blade unit	Slices food (vegetable, fruit, meat) mud and stuffing after assembling with side blade unit, bowl and lid.
5	Glass bowl	Serving food and dishwasher clean
6	Gasket	Anti-slip

### **The advantage of your mini chopper**

- 1) SS blade design make perfect chopper effect.
  - 2) Micro switch can control the chopper level easily.
  - 3) Motor overheat protection, good for safety use.
  - 4) Glass chopper bowl, healthy and easy cleaning.
  - 5) Detachable parts, easy cleaning.
- Change-speed gear box, smooth running, low noise and strong chopping

### **FIRST USE**

Before first use, remove the device and all accessories and being careful with sharp accessories.

- Clean the apparatus according to the instructions in "Cleaning and maintenance" paragraph.
- Place the machine on a suitable flat, stable surface.

### **USE**

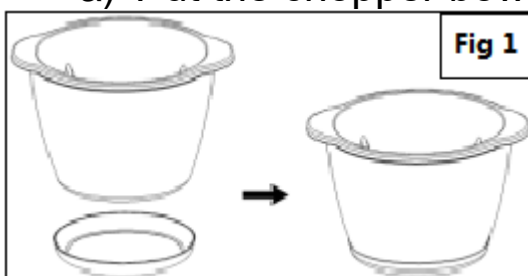
- Unroll the power cord completely.
- Check that the tension in force in the country where you are, corresponds to that indicated on the apparatus.
- Connect the apparatus in a correct socket-outlet, (and connected to the ground if the unit is Class I), to avoid any danger.
- Disconnect the power source cable before any operation of cleaning of maintenance and accessories assembly.
- Never modify the appliance in anyway.

### **HOW TO USE**

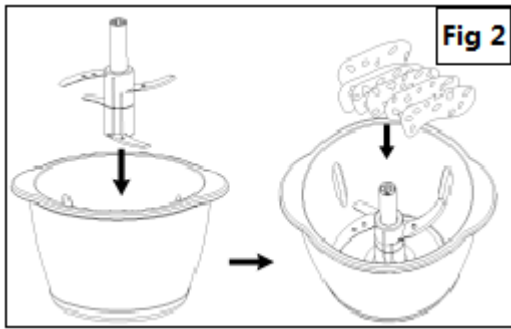
Before using, please clean all parts which will touch the food.

1. Take out the food chopper and accessories, use the food cleanser and water to clean the lid, main/side blade units, chopper bowl. Use wet cloth to clean the motor unit.
2. Put the anti-slip mat to the flat surface, then assemble the chopper bowl on it. Avoid knocking it by the other thing and keep it way from the children.
3. Assembling

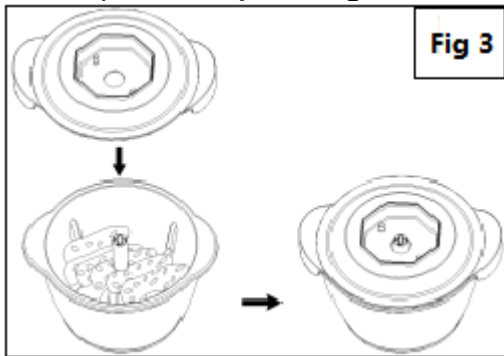
a) Put the chopper bowl on the non-slip gasket. (Fig 1)



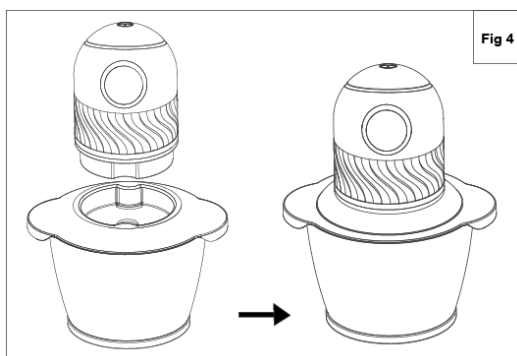
b) Fix the Blade unit into the blow shaft, then put the food. (Fig 2)



c) After putting the food, cover the lid as Fig 3.



d) Put the motor unit on the chopper lid, the blade unit handle is aligning with the middle hole of main unit.(Fig 4)

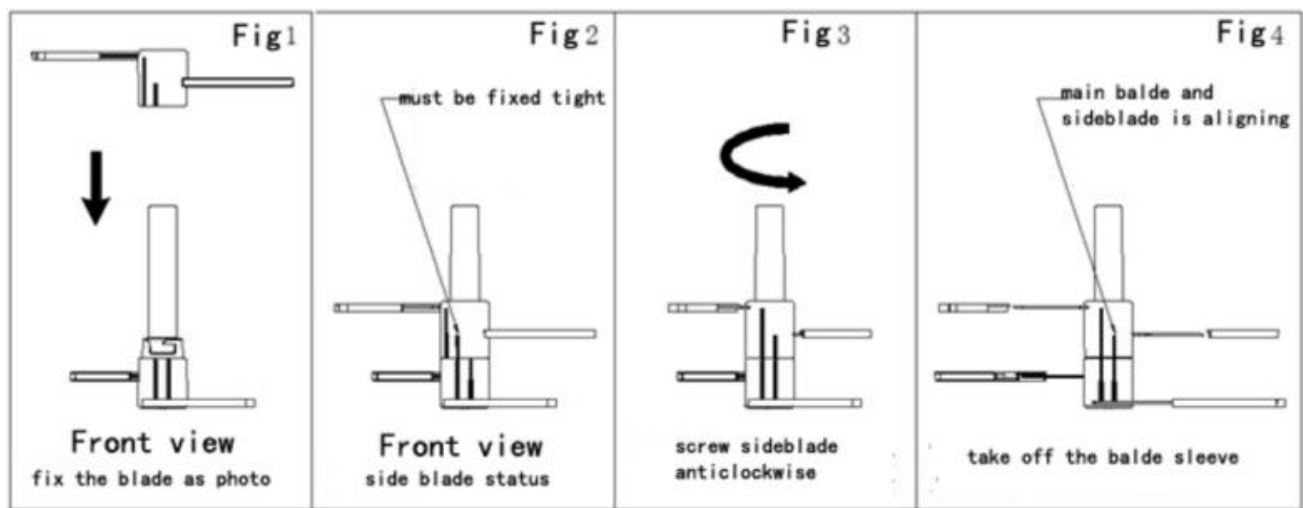


e) After assembling the appliance well, plug in the power code and press the switch, the appliance will start working. When the finger leave the switch, the appliance will stop running.

f) How to assemble/disassemble the main/side blade unit.

Assemble method: Put the side blade unit to the main blade unit (Fig 1 and Fig 2), and screw the side blade unit anticlockwise (Fig 3).

Disassemble method: Take out the side blade unit by clockwise from main blade unit.



### Remark:

1. There are 2 anti-slip lines on main/side blade unit. If the 2 lines didn't align well it means you didn't assemble the main/side blade unit well.
2. If you didn't assemble the side blade well before using, the side blade unit may loose and touch the bowl or lid and hurt the human. Please use it correctly.
3. There is safety lock on the main unit. During operation, please lay the appliance flat and press the button strongly to start the operation, otherwise the appliance cannot be activated.
4. Meat food making method: can choose only single layer or double layers blades for your food chopper. Installed the blade into chopping bowl, removed the muscle, bone, skin of the meat food before processing, cut the food into 1-2 cm massive and put into the bowl. The processing food cannot exceed the maximum limit of scale line of corresponding meat food.
5. Connect the power supply, press the switch lightly, start to work. Don't run the appliance for more than 30 seconds continuously.
6. After processing, cut off the power. After the blade stopped running, move out the main unit and open the lid, remove the chopping blade, and take out the food with a spatula or chopsticks.
7. If the processing food stick on the bowl, please turn off the switch and cut off the power, use a spatula or chopsticks to scrape it off and then make the processing again.
8. If within 30 seconds haven't reached the effect you want, please loosen the switch and interval after 2 minutes again for processing, which is conducive to extend the product life.
9. **For each use, the consecutive operation time should not exceed 30seconds, The operation is carried out three times with a rest**

**period of 2 min during which the beef or meat is replaced.  
Please let the unit cool to room temperature before performing  
next operation cycle**

<b>INGREDIENTS</b>	<b>QUANTITY</b>	<b>TIME</b>
Onions	80 à 100g en quartier	5 à 8 secondes
Cooked Fruit for compote	60/80 g	8 secondes
Garlic	60/80 g	5 à 6 secondes
Biscuits	30 g	12 secondes
Cheese	50g	10/12 secondes
Almonds (without the hull) (sans la coque)	50g	10/12 secondes
Hazelnut (without the hull)	50g	10/12 secondes
Nuts (without the hull)	50g	10/12 secondes
Hard egg (whitout the shell)	3 œufs	4 à 6 secondes
Meat (5 à 6 pieces)	60g	8 secondes
Ham	60g	8 secondes
Maximum capacity	800 ml	

### **USEFUL TIPS**

- 1 Make sure you put the blade in place before filling the bowl with food.
- 2 If the blade does not turn easily, immediately stop the machine, disassemble the parts and remove anything that prevents proper operation.
- 3 If the blades do not rotate at a normal speed, stop the unit and remove some of the ingredients.
- 4 For regular hashing, use pieces of the same size.

### **STORAGE**

- Ensure the unit is completely cool and dry.
- Do not wrap the cord around the appliance, as this will cause damage.
- Keep the appliance in a cool, dry place and out of reach from children.

### **GUARANTEE**

Before being delivered, all our products are subjected to a rigorous control. This apparatus is guaranteed 24 months starting from the date of purchase by the consumer.

The documents in proof of guarantee are: • The invoice and • The filled and stamped warrantee plate (located on side or bottom of the gift box). Without

these documents in proof, no free replacement, nor no free repair, can be carried out.

During the warranty period, we deal for free, the defects of the apparatus or the accessories, rising from a defect of materials or manufacture by repair or, replacement. The services within the framework of the guarantee do not involve any extension of the warranty period and does not give right to a new guarantee! In the event of recourse to the guarantee, bring back the complete apparatus to your retailer, in its original packing, accompanied by the proofs of purchase.

The breakage of parts out of glass or plastic is, in all the cases, not warranted. Defects on the accessories or the wearing parts (for example: coals of engines, hooks, drive belts, remote control of replacement, teeth brushes of replacement, webs etc) as well as cleaning, maintenance or it replacement of wearing parts are not guaranteed and are thus to pay !

In the event of foreign intervention, the guarantee becomes null and void. After flow of the warranty period, repairs can be carried out, against payment, by a specialized trade or a repair service.

### **SPECIFICATIONS**

Power supply	220-240V~ 50-60Hz
Power	300W
Norm	Class II

Made in PRC

*The characteristics can change without prior notice.*

**CAUTION:** In order to minimize the risks of electric shock, In the event of breakdown, not to open the case but to call upon a qualified technician for repairs.

This device complies with EC directives, it was controlled according to all current European directives, applicable such as: electromagnetic compatibility (EMC) and low voltage (LVD).

This device has been designed and manufactured in compliance with the latest regulations and technical requirements for safety.

**Imported by Sotech International  
" LE PERIPOLE " N°A-107  
33, Avenue du Marechal de Lattre de Tassigny  
94120 Fontenay sous-bois - France**