

“WET & DRY” RECHARGEABLE RAZOR + small Trimmer + Pouch

INSTRUCTION MANUAL



*The colour of accessories can change
without preliminary preventing*



Dear consumer, Please read these instructions carefully before use in order to avoid damage due to incorrect use and to better understand the functions of this product. Please pay particular attention to the safety guide. If you pass the device on to a third party, these Operating Instructions must also be handed over. Please keep them for future references.

IMPORTANT SAFEGUARDS

- ❑ Please read these instructions carefully before use.
- ❑ Keep present instructions for future references.
- ❑ Check that your mains voltage corresponds to that stated on the appliance.
- ❑ Only use the appliance for domestic purposes and household or similar applications such as:
 - staff kitchen areas, in shops, offices and other working environments;
 - farm houses;
 - by clients in hotels, motels and other residential type environments;
 - bed and breakfast type environments
- ❑ Only use the appliance in the way indicated in these instructions.
- ❑ Never use this unit near bathtub, shower, wash-hand basins or other containers with water.
- ❑ Never use this apparatus near water projections.
- ❑ Never use this apparatus with the wet hands.
- ❑ If, unfortunately the apparatus is wet, immediately withdraw the cord of the socket-outlet.
- ❑ Inform potential users of these instructions.
- ❑ Never leave the appliance unsupervised when in use.
- ❑ The appliance must be used only for its intended purpose. No responsibility can be taken for any possible damage caused by incorrect use or improper handling.
- ❑ Children and persons with disabilities are not always aware of the danger posed by the use of appliances.
- ❑ **This appliance can be used by children aged from 8 years and above and persons with reduced physical, sensory or mental capabilities or lack of experience and knowledge if they have been given supervision or instruction concerning use of the appliance in a safe way and understand the hazards involved. Children shall not play with the appliance.**
- ❑ **Cleaning and user maintenance shall not be made by children without supervision.**
- ❑ This device is not a toy , do not leave small children or people with disabilities to play with.
- ❑ In order to ensure your children's safety, please keep all packaging (plastic bags, boxes, polystyrene etc.) out of their reach.
- ❑ Caution ! Do not allow small children to play with the foil :
THERE IS A DANGER OF SUFFOCATION !
- ❑ From time to time check the cord for damages. Never use the appliance if cord or appliance shows any signs of damage.

- ❑ Never immerse the appliance in water or any other liquid for any reason whatsoever.
- ❑ Never place it into the dishwasher.
- ❑ Never use the appliance near hot surfaces.
- ~~❑ If the supply cord is damaged, it must be replaced by the manufacturer, its service agent or similarly Competent qualified person^(*) in order to avoid a hazard.~~
- ❑ Disconnect the power source cable before any operation of cleaning of maintenance and accessories assembly.
- ❑ Never use the appliance outside and always place it in a dry environment.
- ❑ Never use accessories, which are not recommended by the producer. They could constitute a danger to the user and risk to damage the appliance.
- ❑ Never use any other connector than the one provided.
- ❑ Never move the appliance by pulling the cord. Make sure the cord cannot get caught in any way.
- ❑ Never wind the cord around the appliance and do not bend it
- ❑ Ensure that the power cord does not come into contact with hot parts of this unit.
- ❑ Make sure the appliance has cooled down before cleaning and storing it.
- ❑ The temperature of accessible surfaces may be very high when the appliance is operating. Never touch these parts, of apparatus, to avoid burning itself.
- ❑ Make sure the appliance never comes into contact with flammable materials, such as curtains, cloth, etc...& the power cord and plug do not come in contact with water.
- ❑ Before cleaning, always unplug the appliance from the power supply and let it cool down.
- ❑ This appliance is not intended to be operated by means of an external timer or separate remote-control system.
- ❑ Always place the unit on a flat surface. Ensure, also, not to cover the device and not to put anything on it.
- ❑ Always remove the plug from the wall socket when the appliance is not in use.
- ❑ When using an extension lead always make sure that the entire cable is unwound from the reel. Use solely CE approved extension leads. Input power must be at least 16A, 250V, 3000W.
- ❑ Incorrect operation and improper use can damage the appliance and cause injury to the user.
- ❑ This device, designed for home use, complies with standards relating to this type of product.
- ❑ This appliance is only intended for household use.
- ❑ Regarding the instructions for cleaning, thanks to refer to the below paragraph of the manual.

~~(*)-Competent qualified person : after sales department of the producer or importer or any person who is qualified, approved and competent to perform this kind of repairs.~~

USE

- Unroll the power cord completely for charging.
- Check that the tension in force in the country where you are corresponds to that indicated on the apparatus.
- Disconnect the power source cable before any operation of cleaning of maintenance and accessories assembly.
- Stand the appliance on a table or flat surface.
- Never modify the appliance in anyway.

How to use

Dry ? Under the shower ? In the tub ?

With your new Lady Shave you can remove unwanted hair quickly, simply and comfortably, at home or "on the move".

According to your own preference, you can use the appliance either "dry" or while taking a shower !

Many users like to lather the skin with shampoo, soap or shaving foam before use. When ready, you can simply rinse the appliance, clean under the shower or tap.

Charging: fig. 1

The appliance is designed for cordless use only and is charged via the charge unit.

Before using the appliance for the first time, or if it has not been used for a considerable time, it should be charged for at least 8 h.

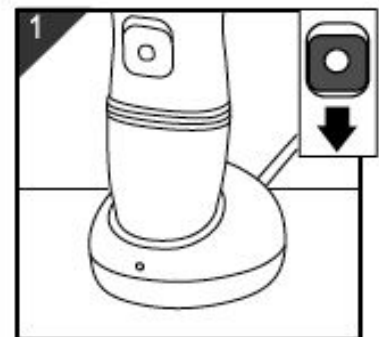
A full charge is sufficient for 30 minutes, if normally used.

- The charge unit can be placed on a horizontal surface. Select a spot close to a wall socket where the charge unit cannot fall into water.

A shaver outlet is suitable for this appliance.

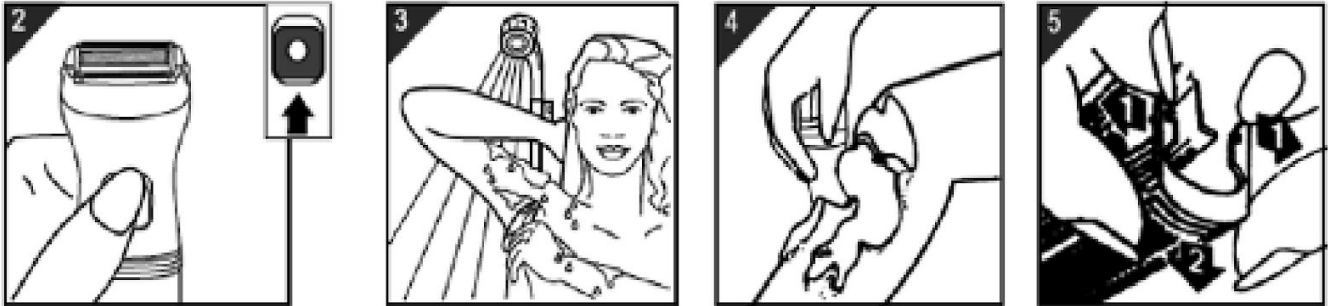
- Keep the charge unit connected to mains power and always replace the appliance into it after use to recharge.

Note: Always switch off before placing the appliance into the charge unit,

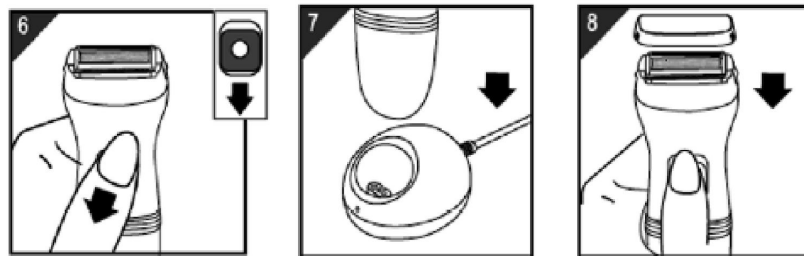


The built-in rechargeable battery contains substances which may pollute the environment. Don't throw it away anywhere. When discarding your appliance in due course, please ensure that the built-in rechargeable battery is separated from the normal household refuse and that it is disposed of in an officially assigned place.

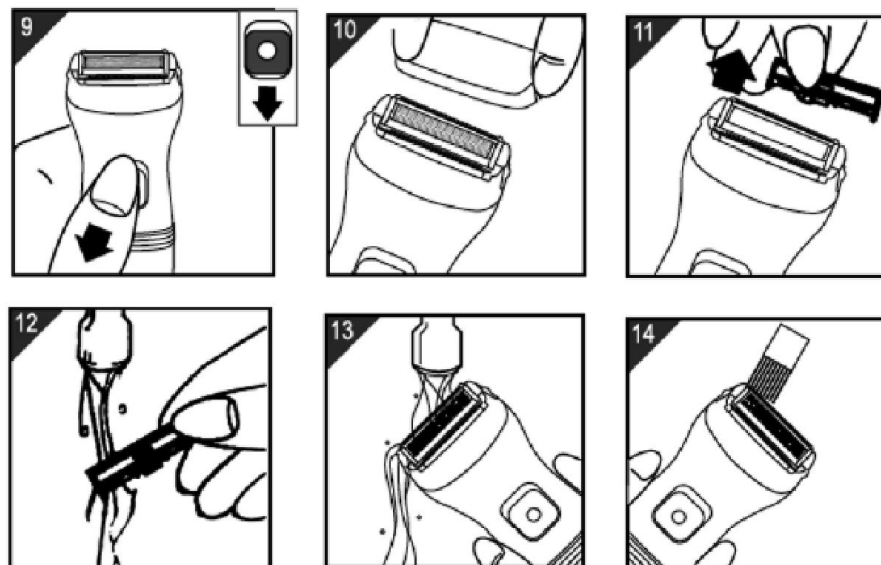
- How to use : fig. 2-5



- Switch on fig.2.
- Place the trimmers and the shaving foil gently on the skin. Move the lady shave slowly and with light pressure over the skin. For best results direct the shaver head against the direction of the hair growth.
- After use: fig. 6-8.



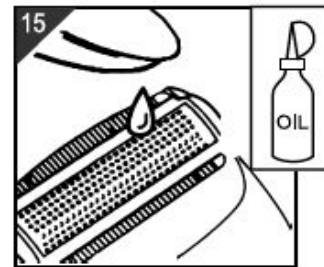
- Cleaning: fig. 9-14.



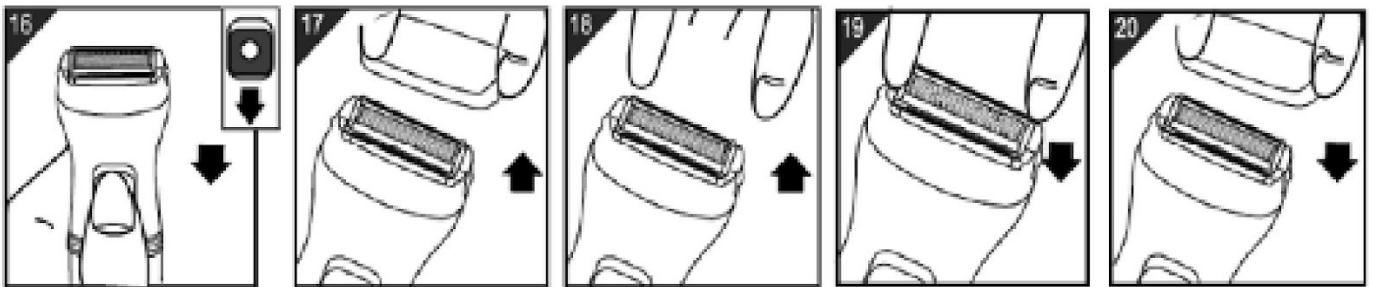
- Detach the hand-held part from the supply cord before cleaning it under the shower or in the water.
- Ensure that the appliance is switched off.
- Avoid damaging the shaver foil : do not apply any pressure.
- Do not use alcohol, acetone, gasoline, abrasives, etc. for cleaning the plastic parts.
- Clean the appliance after each use. Do not use water warmer than showertemperature (approx. 35 C/95' F).
- If you wish, you can alternatively dry clean the hair chamber and shaving head by gently shaking appliance and shaving head, and brushing out the hairs.
- Remove the mains plug from the wall socket before cleaning the charge unit.
- You can use a damp cloth for cleaning. Ensure that your hand is dry when inserting the mains plug into the wall socket again.

Maintenance:fig.15

- Twice a year, spread a drop of light machine oil (sewing machine oil) on the shaver foil and the two trimmers.



- Replacement: fig. 16-20



- If you use the appliance twice a week or more, it is admissible to replace the shaving foil and foil unit every one or two years.
- A worn-out or damaged shaving foil can be replaced only with the original shaving foil unit type.

CLEANING AND MAINTENANCE

Before cleaning switch off the appliance, Always disconnect the apparatus and to let it cool before cleaning.

Clean the outside of the apparatus with a sponge or slightly wet linen.

Do not use abrasive cleaners, gritting, or metal brush or another cutting object.

STORAGE

- Ensure the unit is completely cool and dry.
- Do not wrap the cord around the appliance, as this will cause damage.
- Keep the appliance in a cool, dry place.

GUARANTEE

Before being delivered, all our products are subjected to a rigorous control. This apparatus is guaranteed 12 months starting from the date of purchase.

The documents in proof of guarantee are :

- The invoice and
 - The filled and stamped warrantee plate (located on side or bottom of the gift box).
- Without these documents in proof, no free replacement, nor no free repair, can be carried out.

During the warranty period, we deal for free, the defects of the apparatus or the accessories, rising from a defect of materials or manufacture by repair or, replacement. The services within the framework of the guarantee do not involve any extension of the warranty period and does not give right to a new guarantee !

In the event of recourse to the guarantee, bring back the complete apparatus to your retailer, in its original packing, accompanied by the proofs of purchase.

The breakage of parts out of glass or plastic is, in all the cases, not warranted.

Defects on the accessories or the wearing parts (for example: coals of engines, hooks, drive belts, remote control of replacement, teeth brushes of replacement, webs etc) as well as cleaning, maintenance or it replacement of wearing parts are not guaranteed and are thus to pay !

In the event of foreign intervention, the guarantee becomes null and void.

After flow of the warranty period, repairs can be carried out, against payment, by a specialized trade or a repair service.

Troubleshooting

Reduced shaving performance

Cause 1: The shaving heed in dirty.

a remove the foil b remove the cutter unit c rinse both under the tap d Make sure that no hairs are stuck under the trimmer !

Cause 2: Shaving heed works rather slowly (shaver sounds "weak")

a charge the shaver b clean the shaving heed c lubricate the shaving head with some drupe of sewing machine oil More skin irritation than usual d Replace the shaving foil, as it is damaged or worn.

Appliance doesn't work

Cause 1: The rechargeable battery is empty. a Recharge the battery

Appliance doesn't charge

Cause 1: Charging unit is not plugged in

Cause 2: Appliance has not been placed properly in the charging unit.

a Put the appliance in the charging unit in such a way that you hear a click (to indicate that the shaver has been placed properly in the charging unit) and the red pilot light goes on (to indicate that the appliance is charging)

Cause 3: The red pilot light is on, but the appliance is still not charging.

a Switch the appliance off by setting the slide to off and charge the appliance.

SPECIFICATIONS

AC ADAPTER

INPUT	100-240V~50/60Hz
OUTPUT	2,2V DC / 100 mA
NORME	Class II

LADY SHAVER

POWER SUPPLY	1 rechargeable Battery AA 1,2V DC / 600mA
NORME	Class III
OPERATING USING	10H CHARGE +/- 30 Minutes

Made in P.R.C

The characteristics can change without preliminary preventing

For additional protection, the installation of a residual current device with a rated residual operating current not exceeding 30 mA is advisable in the electrical circuit supplying the bathroom. Ask your installer for advice.

Always unplug the appliance before any cleaning or maintenance operation and accessories assembly.

CAUTION: If the electric cable is damaged, it must be replaced by the manufacturer, his after-sales service or people with similar qualification, in order to avoid any danger. In order to minimize the risks of electric shock,

In the event of breakdown, not to open the case but to call upon a qualified technician for repairs.

This apparatus satisfied EC directives, it was controlled according to all the European current directives, like: electromagnetic compatibility (EMC) and low tension (LVD). This apparatus was designed and manufactured in respect of the last safety regulations and technical specifications.

ENVIRONMENTAL PROTECTION

(Destruction of batteries)

To remove the battery:

- Open the battery compartment and retrieve the battery or batteries.
- THE BATTERY MUST BE REMOVED BEFORE THE UNIT IS GIVEN TO REBUS.
- BATTERY CONTAINS NICKEL CADMIUM AND / OR LITHIUM AND / OR NICKEL-METAL HYDRIDE, THE BATTERY MUST BE ELIMINATED IN A SAFE WAY.

DO NOT THROW IN A TRASH CAN, BUT GIVE IN CENTRE OF WASTE



GENERAL INFORMATION

The symbol "OPEN BOOK" means a recommendation to read important things contained in the record.

The symbol "FLASH" is intended to alert the user to the presence of current within the device. Do not open it, it could constitute a risk of electric shock.

The symbol "QUESTION MARK" warns the user that important operating and maintenance are contained in the record.

The symbol "TUB / SHOWER" crossed out means to never use the unit in a bathroom, a shower in or near water spray. (IP20 Minimum distance 3M.)

The symbol "BIN" crossed out, abbreviation WEEE (Waste of Electrical and Electronic Equipment) means that at the end of life, it should not be discarded with household waste, but filed to the sorting of the locality. Waste recovery can help preserve our environment.

The symbol "STEAM" warns the user that steam can escape from the unit and to take all necessary precautions. (Risk of burns)

The symbol "CE" is the guarantee of compliance with harmonized European standards, voluntary, reflecting the essential requirements into technical specifications. These standards are not mandatory but are guarantees of compliance with essential requirements.

The symbol "RECYCLING" raise consumer awareness on the need to recycle its waste. Recycling is a process by which materials that compose a product in end of life (industrial or household waste) are reused in whole or part and will be returned to the initial production cycle.

The symbol "GLASS / FORK" means that the device is compatible and can come into contact with foodstuffs.

The symbol ROHS (Restriction of use of some Hazardous Substances) on the Environmental Protection, certifies that for each of the five hazardous substances • Lead • Mercury • (hexavalent) chromium • products for protection against flames PBB and PBDE, the peak concentration is equal

to or less than 0.1% of the weight of homogeneous material, and 0.01% for the 6th • cadmium.

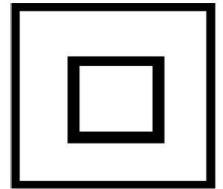
The symbol "HOT WALL" warns the user that the walls of the unit can become very hot, and to take precautions as required.

The symbol "DOUBLE SQUARE" means a double insulated. A basic insulation and supplementary insulation. This device requires no connection to the mass of a protective conductor grounded. The materials are said : double insulation class II.

The symbol "MAN" means that the device can be used on the skin or human orifices. (Example: Thermometer).

The symbol "TRIMAN" indicates that the consumer is invited to dispose the product as part of a separate collection (eg recycling bin, waste, voluntary intake point).

For more information : www.quefairedemesdechets.fr



**Imported by Sotech International
" LE PERIPOLE " N°C111 à 115
33, Avenue du Marechal de Lattre de Tassigny
94120 Fontenay sous bois - France**

FACIAL TRIMMER

IDEAL FOR Bikini area Neck Eyebrows Feet Chin hair Toes Hands KneesFingers Ankles

Not meant to be used as a shaver.

When cleaning heads make sure switch is on OFF position.

Be careful not to over trim.

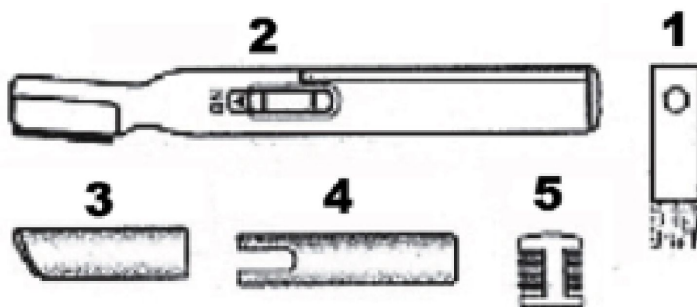
Use caution when near eyes.

Do not use on eyelashes.

For external use only.

PARTS

- 1 CLEANING BRUSH
- 2 MAIN UNIT
- 3 HEAD CAP
- 4 BATTERY COVER
- 5 EYEBROWS PROTECTION



BATTERY

Use 1 x AAA" or LR3 battery. (Not provided)

1. Remove cap

Note : Make sure unit is in the OFF position

2 Remove the aluminium casing

3 Insert the battery (respect negative & positive position)

4 Once battery is in place, replace aluminium casing

WARNING: Unit will not work if battery is inserted incorrectly.

Using unit with main head

1. Turn unit on by pushing the ON/OFF switch upward in the direction of arrow

2. Gently, Place the head against the hair to be removed.

3. Move in an upward direction against the growth of hair to be removed.

Note: Use for all designated areas of the body

Attaching Eyebrow Trimming Guard

Note: Try long side first to determine appropriate side of attachment. If the long side is not performing then try the short side. We recommend always testing the long side first.

1. Make sure the unit is in the OFF position.

2. Race fingers on the neck of the main unit

3. Attach guard over main head, push down and snap into place.

Note: Use larger opening when attaching guard.

Using The Eyebrow Trimmer Guard:

1. Attach guard to unit as shown using appropriate side.
2. Turn unit ON.
3. Comb, following the natural shape of the eyebrow starting at the widest end to the thinnest.

Important For thick and bushy eyebrows you may have to repeat step 3 until desired result is achieved.

CARE AND MAINTENANCE

To Clean Eyebrow Trimming Guard

1. Remove guard end use cleaning brush to remove hairs from the teeth.
2. Wash with soapy water if necessary
3. Make sure guard is completely dry before attaching to main unit

To Clean Main Head Attachment

Use cleaning brush provided to remove any hairs

To Remove Hairs From Inside of Main Unit Head

1. Make sure unit is in the OFF position.
2. Turn to the backside of the unit (This side is the opposite side of the power switch).

3. Push lock down to unlock main head

Note: Main head should pop off from main unit.

4. Pull head down and remove from main unit

5. Remove hairs with cleaning brush

6. Replace head by inserting the protruding edge into the opening on the top of the head

Note: Do not force head into place.

7. Snap into place and secure by pushing the lock button up until it clicks and locks head in place.

Power supply : 1 x 1,5V LR3 or AAA battery (not provided)