

Techwood®

POSITIVE TECHNOLOGY

“WET & DRY” RECHARGEABLE RAZOR + small Trimmer + Pouch

INSTRUCTION MANUAL



*The colour of accessories
can change without prior notice.*



Dear consumer, Please read these instructions carefully before use in order to avoid damage due to incorrect use and to better understand the functions of this product. Please pay particular attention to the safety guide. If you pass the device on to a third party, these Operating Instructions must also be handed over. Please keep them for future references.

IMPORTANT SAFEGUARDS

- ❑ The appliance is only to be used with the power supply unit provided with the appliance.
- ❑ Please read these instructions carefully before use.
- ❑ Keep present instructions for future references.
- ❑ Check that your mains voltage corresponds to that stated on the appliance.
- ❑ Only use the appliance for domestic purposes and household or similar applications such as:
 - staff kitchen areas, in shops, offices and other working environments;
 - By clients in hotels, motels and other residential type environments;
 - Environment type like :
 - Farm Houses • Bed and Breakfast.
- ❑ Only use the appliance in the way indicated in these instructions.
- ❑ Never use this unit near bathtub, shower, wash-hand basins or other containers with water.
- ❑ Never use this apparatus near water projections.
- ❑ Never use this apparatus with the wet hands.
- ❑ If, unfortunately the apparatus is wet, immediately withdraw the cord of the socket-outlet.
- ❑ Inform potential users of these instructions.
- ❑ Never leave the appliance unsupervised when in use.
- ❑ The appliance must be used only for its intended purpose. No responsibility can be taken for any possible damage caused by incorrect use or improper handling.
- ❑ Children and persons with disabilities are not always aware of the danger posed by the use of appliances.

- The appliance can be used by children aged from 3 years under supervision.
- This appliance can be used by children aged from 8 years and above and persons with reduced physical, sensory or mental capabilities, or lack of experience and knowledge if they have been given supervision or instruction concerning use of the appliance in a safe way and understand the hazards involved.
- Children shall not play with the appliance.
- Cleaning and user maintenance shall not be made by children without supervision.
- In order to ensure your children's safety, please keep all packaging (plastic bags, boxes, polystyrene etc.) out of their reach.
- Caution ! Do not allow small children to play with the foil :
THERE IS A DANGER OF SUFFOCATION !
- From time to time check the cord for damages. Never use the appliance if cord or appliance shows any signs of damage.
- Never immerse the appliance in water or any other liquid for any reason whatsoever.
- Never place it into the dishwasher.
- Never use the appliance near hot surfaces.
- Do not operate the appliance with a damaged cord or plug, or after the appliance has been damaged in any manner.
- Disconnect the power source cable before any operation of cleaning of maintenance and accessories assembly.
- Never use the appliance outside and always place it in a dry environment.
- Never use accessories, which are not recommended by the producer. They could constitute a danger to the user and risk to damage the appliance.
- Never use any other connector than the one provided.

- ❑ Never move the appliance by pulling the cord. Make sure the cord cannot get caught in any way.
- ❑ Never wind the cord around the appliance and do not bend it
- ❑ Ensure that the power cord does not come into contact with hot parts of this unit.
- ❑ The device must be operated only under the very low safety voltage corresponding to the marking of the device.
- ❑ Make sure the appliance has cooled down before cleaning and storing it.
- ❑ The temperature of accessible surfaces may be very high when the appliance is operating. Never touch these parts, of apparatus, to avoid burning itself.
- ❑ Make sure the appliance never comes into contact with flammable materials, such as curtains, cloth, etc... & the power cord and plug do not come in contact with water.
- ❑ Before cleaning, always unplug the appliance from the power supply and let it cool down.
- ❑ This appliance is not intended to be operated by means of an external timer or separate remote-control system.
- ❑ Always place the unit on a flat surface. Ensure, also, not to cover the device and not to put anything on it.
- ❑ Always remove the plug from the wall socket when the appliance is not in use.
- ❑ When using an extension lead always make sure that the entire cable is unwound from the reel. Use solely CE approved extension leads. Input power must be at least 16A, 250V, 3000W.
- ❑ Incorrect operation and improper use can damage the appliance and cause injury to the user.
- ❑ This device, designed for home use, complies with standards relating to this type of product.

- The appliance must be used and rested on a table or flat & stable surface.
- The item must not be left unattended when it is connected to main supply.
- The item is not to be used, if it has been dropped or if there are visible signs of damage or if it is leaking.
- Regarding the instructions for cleaning, please refer to the below paragraph of the manual.
- This appliance is only intended for household use.

GENERAL INFORMATION

The symbol "OPEN BOOK" means a recommendation to read important things contained in the record.

The symbol "BIN" crossed out, abbreviation WEEE (Waste of Electrical and Electronic Equipment) means that at the end of life, it should not be discarded with household waste, but filed to the sorting of the locality. Waste recovery can help preserve our environment.

The symbol "CE" is the guarantee of compliance with harmonized European standards, voluntary, reflecting the essential requirements into technical specifications. These standards are not mandatory but are guarantees of compliance with essential requirements.

The symbol ROHS (Restriction of use of some Hazardous Substances) on the Environmental Protection, certifies that for each of the five hazardous substances • Lead • Mercury • (hexavalent) chromium • products for

protection against flames PBB and PBDE, the peak concentration is equal to or less than 0.1% of the weight of homogeneous material, and 0.01% for the 6th • cadmium.

The symbol "III" means that the equipment concerned is designed to be supplied at a voltage of not more than 50 volts AC or 120 volts DC. Materials with this sign are classified as Class III.

The symbol "TRIMAN" indicates that the consumer is invited to dispose the product as part of a separate collection (eg recycling bin, waste, voluntary intake point).

For more information : <http://www.quefairedemesdechets.fr>

PARTICULAR WARNING FOR PRODUCT USED IN A BATHROOM

- Switch off when not in use, even if for a moment.
- Unplug it after use, since the proximity of water presents a hazard, even when the unit is switched off.
- When the unit is used in a bathroom unplug it after use since the proximity of water presents a risk, even when the power is off.
- To provide additional protection, in the electrical circuit supplying the bathroom, a residual current device (RCD) with a rated residual current not exceeding 30mA operation, is recommended. Consult your installer.

NOTE: A thermal fuse, is not a residual current device (RCD).

- Do not use this product while taking a shower or bath.
- Always unplug the unit itself between two closely spaced uses.
- For example: Stop the machine and unplug it if you drop it while you dry.

USE

- Unroll the power cord completely for charging.
- Check that the tension in force in the country where you are corresponds to that indicated on the apparatus.
- Disconnect the power source cable before any operation of cleaning of maintenance and accessories assembly.
- Stand the appliance on a table or flat surface.
- Never modify the appliance in anyway.

How to use

Dry ? Under the shower ? In the tub ?

With your new Lady Shave you can remove unwanted hair quickly, simply and comfortably, at home or "on the move".

According to your own preference, you can use the appliance either "dry" or while taking a shower !

Many users like to lather the skin with shampoo, soap or shaving foam before use. When ready, you can simply rinse the appliance, clean under the shower or tap.

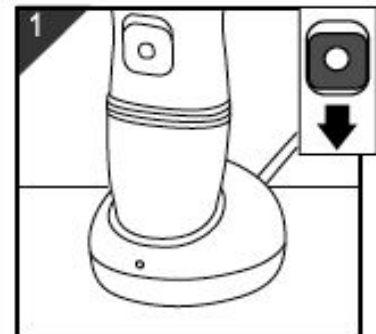
Charging

The appliance is designed for cordless use only
And it is charged via the charge unit.

Before using the appliance for the first time, or if it has not been used for a considerable time, it should be charged for 1 hour.
A full charge is sufficient +/- 30 minutes, if normally used.

The unit charger must be placed on a horizontal surface. Select a spot close to a wall socket where the charge unit cannot fall into water.

Keep the charge unit connected to mains power and always replace the appliance into it after use to recharge.

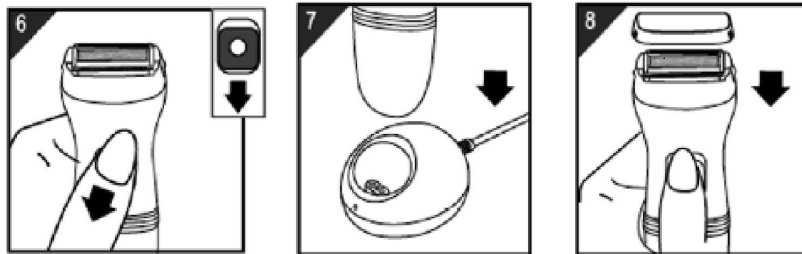


Note: Always charge the shaver after wiping it properly after use (if wet).
Always switch off before placing the appliance into the charge unit,

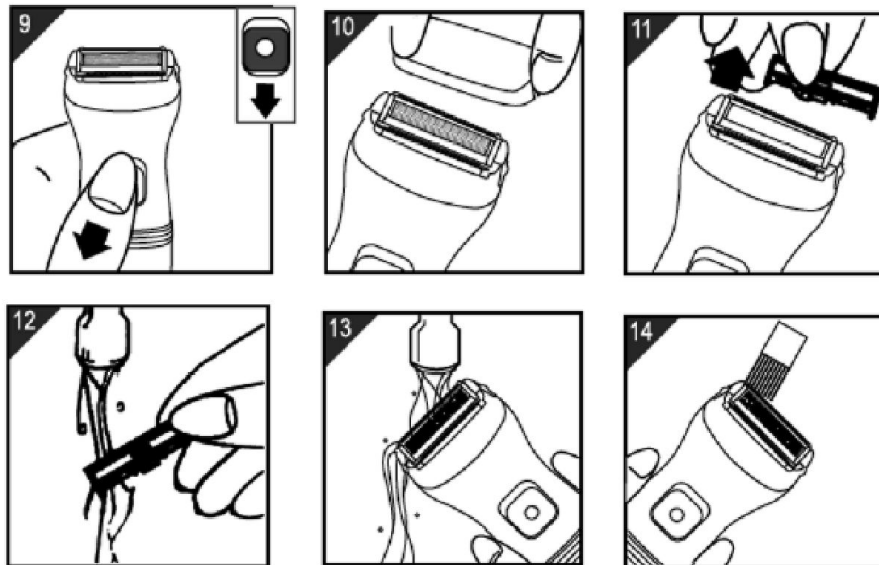
1. Place the trimmer and the shaving foil gently on the skin.
2. Move the lady shave slowly and with light pressure over the skin.
3. *For best results direct the shaver head against the direction of the hair growth.*

After use

1. Stop the unit by sliding the switch down.
2. Put the razor on its base.
3. Replace the cover on the unit head.



CLEANING AND MAINTENANCE



1. Remove the shaver from its charger base for cleaning.

Notes : Make sure the unit is off and unplugged from the mains.

Do not apply any pressure on the razor's head to preserve it.

2. Do not use acetone, gasoline and abrasive material, wire brush or other sharp objects on plastic parts.
3. Clean the device after each use.
4. Do not rinse the shaver with hot water (maximum 35°C)

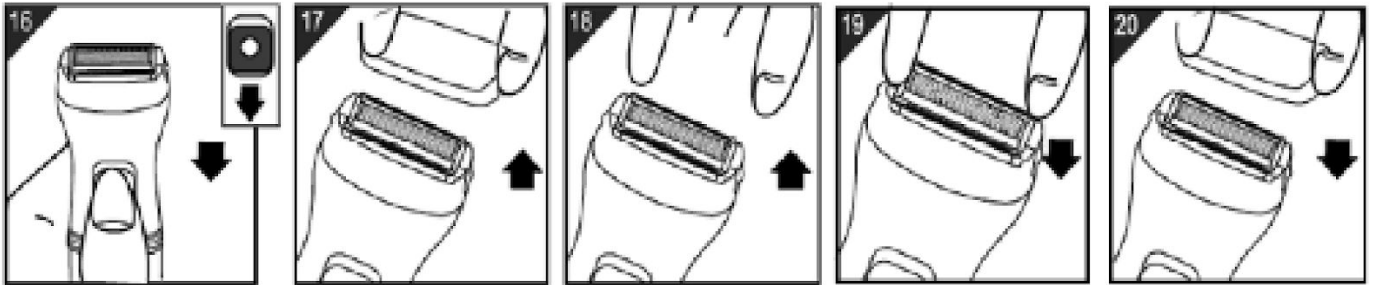
Note: It is not necessary to disassemble the head after each use.

Only shake the razor, blow and brush the remaining hairs.

5. Clean the outside of the appliance with a sponge or slightly damp cloth.

Twice a year, drop a drop of oil (Oil for sewing machine or oil for hair clipper) on the razor's head and the precision mower.

Head Replacement



- It you use the appliance twice a week or more, it is admissible to replace the shavinghead unit every one or two years.

- A worn-out or damaged shaving toil can be replaced only with the original shavingtoil unit type.

For that, contact your store or an after-sales service.

STORAGE

-Ensure the unit is completely cool and dry.

-Do not wrap the cord around the appliance, as this will cause damage.

-Keep the appliance in a cool, dry place.

GUARANTEE

Before being delivered, all our products are subjected to a rigorous control.

This apparatus is guaranteed 24 months starting from the date of purchase by the consumer.

The documents in proof of guarantee are :

- The invoice and

- The filled and stamped warrantee plate (located on side or bottom of the gift box).

Without these documents in proof, no free replacement, nor no free repair, can be carried out.

During the warranty period, we deal for free, the defects of the apparatus or the accessories, rising from a defect of materials or manufacture by repair or,

replacement. The services within the framework of the guarantee do not involve any extension of the warranty period and does not give right to a new guarantee !
In the event of recourse to the guarantee, bring back the complete apparatus to your retailer, in its original packing, accompanied by the proofs of purchase.
The breakage of parts out of glass or plastic is, in all the cases, not warranted.
Defects on the accessories or the wearing parts (for example: coils of engines, hooks, drive belts, remote control of replacement, teeth brushes of replacement, webs etc) as well as cleaning, maintenance or it replacement of wearing parts are not guaranteed and are thus to pay !
In the event of foreign intervention, the guarantee becomes null and void.
After flow of the warranty period, repairs can be carried out, against payment, by a specialized trade or a repair service.

Troubleshooting

Reduced shaving performance

Cause 1: The shaving heed in dirty.

- a remove the foil
- b remove the cutter unit & rinse both under the tap
- c Make sure that no hairs are stuck under the trimmer !

Cause 2: Shaving heed works rather slowly (shaver sounds "weak")

- a charge the shaver
- b clean the shaving heed
- c lubricate the shaving head with some drupe of sewing machine oil More skin irritation than usual
- d Replace the shaving foil, as it is damaged or worn.

Appliance doesn't work

Cause 1: The rechargeable battery in empty.

- a Recharge the butterfly

Appliance doesn't charge

Cause 1: Charging unit in not plugged in

Cause 2: Appliance has not been placed properly in the charging unit.

a Put the appliance in the charging unit in such a way that you hear a click (to indicate that the shaver has been placed properly in the charging unit) and the red pilot light goes on (to indicate that the appliance is charging)

Cause 3: The red pilot light is on, but the appliance is still not charging.
a Switch the appliance off by setting the slide to off and charge the appliance.

SPECIFICATIONS

LADY SHAVER

Power supply	1 rechargeable Battery AA 1,2V DC / 3W
Norm	Class III
Operating	3V DC 200mA
Charging time	8H
Using time	+/- 30 Minutes

AC ADAPTER

Power supply	INPUT	100-240V~50/60Hz 80mA
	OUTPUT	3V DC / 200 mA
Norm	Class II	

Made in P.R.C

The characteristics can change without prior notice.

ENVIRONMENTAL PROTECTION

(Destruction of batteries)

To remove the battery:

- Open the battery compartment and retrieve the battery or batteries.

- BATTERY CONTAINS NICKEL CADMIUM AND / OR LITHIUM AND / OR NICKEL-METAL HYDRIDE, THE BATTERY MUST BE ELIMINATED IN A SAFE WAY.

DO NOT THROW IN A TRASH CAN, BUT GIVE IN CENTRE OF WASTE.

that the device can be used on the skin or human orifices. (Example: Thermometer).

CAUTION: In order to minimize the risks of electric shock, In the event of breakdown, not to open the case but to call upon a qualified technician for repairs.

This device complies with EC directives, it was controlled according to all current European directives, applicable such as: electromagnetic compatibility (EMC) and low voltage (LVD).

This device has been designed and manufactured in compliance with the latest regulations and technical requirements for safety.

FACIAL TRIMMER

IDEAL FOR :

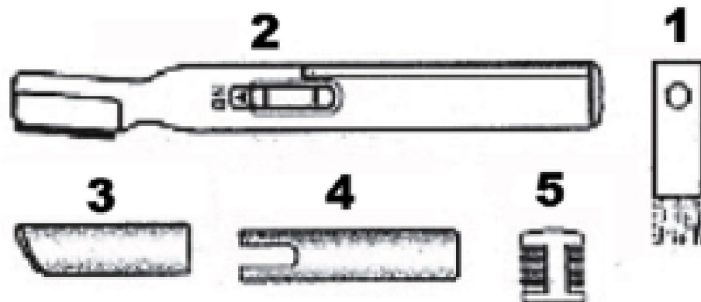
Bikini area, Neck, Eyebrows and all unsightly hair ...

Not to be used as a shaver.

Before cleaning head, make sure that the switch is on OFF position.
Be careful not to over trim at the same place or in the same skin area.
Use with caution when near eyes.
Do not use on eyelashes.
For external use only.

PARTS

- 1 CLEANING BRUSH
- 2 MAIN UNIT
- 3 HEAD CAP
- 4 BATTERY COVER
- 5 EYEBROWS PROTECTION



BATTERY

Use 1 x AAA" or LR3 battery. (Not provided)

1. Remove cap

Note : Make sure unit is in the OFF position

2 Remove the battery compartment cover.

3 Insert the battery (respecting the direction of polarity)

4 Replace & Close the compartment cover.

WARNING: If the unit does not work verify if the battery is correctly inserted.

Using unit with main head

1. Turn unit on by pushing the ON/OFF switch upward in the direction of arrow
2. Gently, Place the head against the hair to be removed.
3. Move in an upward direction against the growth of hair to be removed.

Note: Use for all designated areas of the body

Attaching Eyebrow Trimming Guard

Note: Try long side first to determine appropriate side of attachment. If the long side is not performing then try the short side. We recommend always testing the long side first.

1. Make sure the unit is in the OFF position.
2. Race fingers on the neck of the main unit
3. Attach guard over main head, push down and snap into place.

Using The Eyebrow Trimmer Guard :

1. Attach guard to unit.
2. Turn unit ON.
3. Comb, following the natural shape of the eyebrow starting at the widest end to the thinnest.

Important For thick and bushy eyebrows you may have to repeat step 3 until desired result is achieved.

CARE AND MAINTENANCE

To Clean Eyebrow Trimming Guard

1. Remove guard end use cleaning brush to remove hairs from the teeth.
2. Wash with soapy water if necessary
3. Make sure guard is completely dry before attaching to main unit

To Clean Main Head Attachment

Use cleaning brush provided to remove any hairs

1. Make sure unit is in the OFF position.
2. Turn to the backside of the unit (This side is the opposite side of the power switch).

3. Push lock down to unlock main head

Note: Main head should pop off from main unit.

4. Pull head down and remove from main unit
5. Remove hairs with cleaning brush
6. Replace head by inserting the protruding edge into the opening on the top of the head

Note: Do not force head into place.

7. Snap into place and secure by pushing the lock button up until it clicks and locks head in place.

Power supply : 1 x 1,5V LR3 or AAA battery (not provided)

Imported by Sotech International
" LE PERIPOLE " N°A-107
33, Avenue du Marechal de Lattre de Tassigny
94120 Fontenay sous bois - France