

ELECTRIC OIL HEATER

INSTRUCTION MANUAL



This product is only suitable for well insulated spaces or occasional use.



Dear consumer, please read these instructions carefully before use in order to avoid damage due to incorrect use and to better understand the functions of this product. Please pay particular attention to the safety guide. If you pass the device on to a third party, these Operating Instructions must also be handed over. Please keep them for future references.

IMPORTANT SAFEGUARDS

- ❑ Please read these instructions carefully before use.
- ❑ Keep present instructions for future references.
- ❑ Check that your mains voltage corresponds to that stated on the appliance.
- ❑ Only use the appliance for domestic purposes and household or similar applications such as:
 - staff kitchen areas, in shops, offices and other working environments;
 - By clients in hotels, motels and other residential type environments;
 - Environment type like :
 - Farm Houses • Bed and Breakfast.
- ❑ Only use the appliance in the way indicated in these instructions.
- ❑ Do not use this heater in the immediate surroundings of a bath, a shower or a swimming pool.
- ❑ Never use this apparatus near water projections.
- ❑ Never use this apparatus with the wet hands.
- ❑ If, unfortunately the apparatus is wet, immediately withdraw the cord of the socket-outlet.
- ❑ Inform potential users of these instructions.
- ❑ Never leave the appliance unsupervised when in use.
- ❑ The appliance must be used only for its intended purpose. No responsibility can be taken for any possible damage caused by incorrect use or improper handling.
- ❑ Children and persons with disabilities are not always aware of the danger posed by the use of appliances.
- ❑ This appliance can be used by children aged from 8 years and above and persons with reduced physical, sensory or mental capabilities, or lack of experience and knowledge if

they have been given supervision or instruction concerning use of the appliance in a safe way and understand the hazards involved.

- ❑ Children shall not play with the appliance.
- ❑ Cleaning and user maintenance shall not be made by children without supervision.
- ❑ Children of less than 3 years should be kept away unless continuously supervised.
- ❑ Children aged from 3 years and less than 8 years shall only switch on/off the appliance provided that it has been placed or installed in its intended normal operating position and they have been given supervision or instruction concerning use of the appliance in a safe way and understand the hazards involved.
- ❑ Children aged from 3 years and less than 8 years shall not plug in, regulate and clean the appliance or perform user maintenance.
- ❑ Some parts of this product can become very hot and cause burns. Particular attention has to be given where children and vulnerable people are present.
- ❑ The heating appliance must not be placed just below an electrical outlet.
- ❑ In order to avoid overheating, do not cover the heater.
- ❑ Do not use this heater with a programmer, timer, separate remote-control system or any other device that switches the heater on automatically, since a fire risk exists if the heater is covered or positioned incorrectly. Also do not put anything on it.
- ❑ In order to ensure your children's safety, please keep all packaging (plastic bags, boxes, polystyrene etc.) out of their reach.
- ❑ Caution ! Do not allow small children to play with the foil :

THERE IS A DANGER OF SUFFOCATION !

- From time to time check the cord for damages. Never use the appliance if cord or appliance shows any signs of damage.
- Never immerse the appliance in water or any other liquid for any reason whatsoever.
- Never place it into the dishwasher.
- Never use the appliance near hot surfaces.
- Do not operate the appliance with a damaged cord or plug, or after the appliance has been damaged in any manner.
- If the supply cord or appliance is damaged, it must be replaced by the manufacturer or its service agent or a similarly qualified person in order to avoid a hazard.
- Disconnect the power source cable before any operation of cleaning of maintenance and accessories assembly.
- Never use the appliance outside and always place it in a dry environment.
- Never use accessories, which are not recommended by the producer. They could constitute a danger to the user and risk to damage the appliance.
- Never use any other connector than the one provided.
- Never move the appliance by pulling the cord. Make sure the cord cannot get caught in any way.
- Never wind the cord around the appliance and do not bend it
- Ensure that the power cord does not come into contact with hot parts of this unit.
- Make sure the appliance has cooled down before cleaning and storing it.
- The temperature of accessible surfaces may be very high when the appliance is operating. Never touch these parts, of apparatus, to avoid burning itself.

- Make sure the appliance never comes into contact with flammable materials, such as curtains, cloth, etc...& the power cord and plug do not come in contact with water.
- Before cleaning, always unplug the appliance from the power supply and let it cool down.
- Always place the unit on a flat surface.
- Always remove the plug from the wall socket when the appliance is not in use.
- When using an extension lead always make sure that the entire cable is unwound from the reel. Use solely CE approved extension leads. Input power must be at least 16A, 250V, 3000W.
- Incorrect operation and improper use can damage the appliance and cause injury to the user.
- This device, designed for home use, complies with standards relating to this type of product.
- The appliance must be used and rested on a table or flat & stable surface.
- The item must not be left unattended when it is connected to main supply.
- This heater is filled with a precise quantity of special oil. Repairs requiring opening of the oil container are only to be made by the manufacturer or his service agent who should be contacted if there is an oil leak;
- When scrapping the heater, follow the regulations concerning the disposal of oil.
- The item is not to be used, if it has been dropped or if there are visible signs of damage or if it is leaking.
- Regarding the instructions for cleaning, thanks to refer to the below paragraph of the manual.
- Regarding the instructions for installing caster systems, thanks to refer to the below paragraph of the manual.

- This appliance is only intended for household use.

(*) **Competent qualified person** : after sales department of the producer or importer or any person who is qualified, approved and competent to perform this kind of repairs.

IMPORTANT MEASURES SPECIFIC TO THIS DEVICE

1. This appliance has no protection against the risks of water and, must not be used in a bathroom.
2. Use the radiator only if the caster system is installed and properly secured.
3. Indoor use only.
4. Do not place the heater on very long pile carpets.
5. Always unplug the heater before moving it from one place to another.

GENERAL INFORMATION

The symbol "OPEN BOOK" means a recommendation to read important things contained in the record.



The symbol "BIN" crossed out, abbreviation WEEE (Waste of Electrical and Electronic Equipment) means that at the end of life, it should not be discarded with household waste, but filed to the sorting of the locality. Waste recovery can help preserve our environment.



The symbol "CE" is the guarantee of compliance with harmonized European standards, voluntary, reflecting the essential requirements into technical specifications. These standards are not mandatory



but are guarantees of compliance with essential requirements.

The symbol "DO NOT COVER" warns the user not to put anything on the device. This could lead to overheating that is harmful and dangerous.



The symbol ROHS (Restriction of use of some Hazardous Substances) on the Environmental Protection, certifies that for each of the five hazardous substances • Lead • Mercury • (hexavalent) chromium • products for protection against flames PBB and PBDE, the peak concentration is equal to or less than 0.1% of the weight of homogeneous material, and 0.01% for the 6th • cadmium.



The symbol "TRIMAN" indicates that the consumer is invited to dispose the product as part of a separate collection (eg recycling bin, waste, voluntary intake point).



For more information : <http://www.quefairedemesdechets.fr>

TO KNOW ITS UNIT

1. Thermostat adjustment knob
2. On / Off switch
3. Indicator light
4. Carry handle (lift able)
5. Heating elements
6. Fixed wire storage
7. System of casters of the device

This model has two levels of protection



1. automatic thermal break

This turns off the heater in case of overheating or malfunction and resets when the temperature drops to a normal level.

2. Thermal fuse

In case the automatic thermal cut-off does not work, the heater has another safety device. This is a non-resettable switch that turns off the heater in case of overheating.

If this happens, it is necessary to send the heater back to an authorized service to reset it.

If overheating or malfunction persists, return the heater to the dealer or an authorized representative service for examination.

MOUNTING

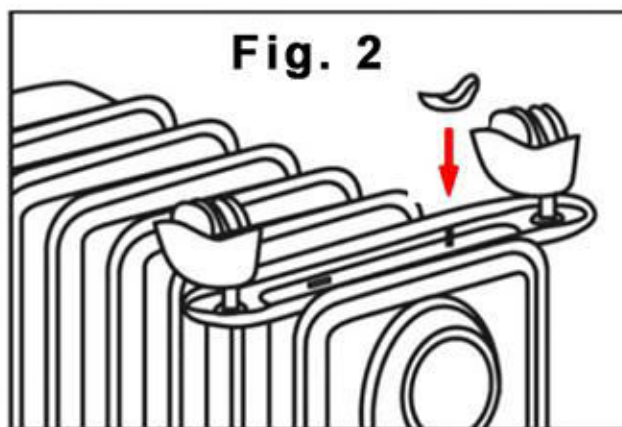
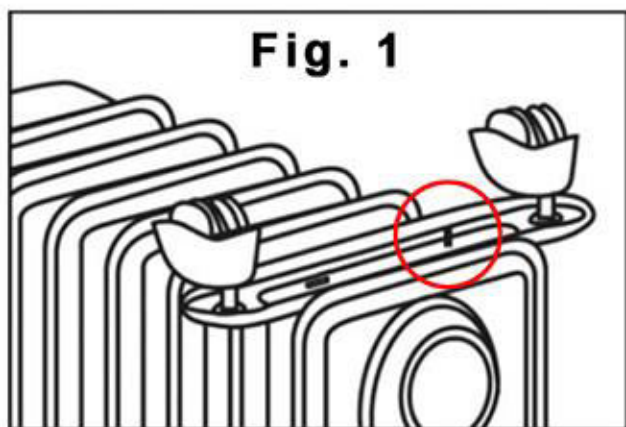
Do not use the heater without installing the caster system under the unit.

Remove the heating from its packaging.

Check that neither the heater nor the power cable has been damaged during transport.

Return the heater on a carpet or a soft surface.

Position the caster systems on the lugs (Fig. 1) and screw in with the butterfly nuts (Fig. 2).



Return the heater to the upright position for use.

CAUTION : *Use heater only in normal vertical position, with the casters fixed under the device.*

Any other position of the device could create a dangerous situation.

USE

Unroll the power cord completely.

Check that the tension in force in the country where you are, corresponds to that indicated on the apparatus.

Connect the apparatus in a socket-outlet in good state, and connected to the ground, to avoid any danger.

Disconnect the power source cable before any operation of cleaning of maintenance and accessories assembly.

Stand the appliance on a table or flat surface.

1. Turn the thermostat knob clockwise to the maximum position.
2. When the temperature reaches a comfortable level, slowly turn the thermostat knob counter clockwise until the power light turns off.

To adjust the temperature in the room

For more warmth : turn the thermostat clockwise.

For less heat : counter clockwise.

The heater will automatically adjust to maintain the room temperature depending on the thermostat setting.

It normally takes about 15 minutes to reach the operating temperature.

To turn off the unit, turn the thermostat knob to "O". Press the On / Off button and remove the plug from the wall outlet.

This product is only suitable for isolated locations or occasional use.

CLEANING AND MAINTENANCE

1. Before cleaning the appliance, turn off the heater first, then remove the plug from the socket, and wait until the appliance cools down.
2. Clean the air inlet and air outlet of the appliance regularly (at least twice a year normally even with vacuum cleaner).
3. Use a damp cloth to clean the surface of appliance, avoid water going inside the appliance, dry the appliance before use or store.

STORAGE

-Ensure the unit is completely cool and dry.

-Do not wrap the cord around the appliance, as this will cause damage.

-Keep the appliance in a cool, dry place and out of reach from children.

GUARANTEE

Before being delivered, all our products are subjected to a rigorous control.

This apparatus is guaranteed 24 months starting from the date of purchase by the consumer.

The documents in proof of guarantee are :

- The invoice and
- The filled and stamped warrantee plate (located on side or bottom of the gift box). Without these documents in proof, no free replacement, nor no free repair, can be carried out.

During the warranty period, we deal for free, the defects of the apparatus or the accessories, rising from a defect of materials or manufacture by repair or, replacement. The services within the framework of the guarantee do not involve any extension of the warranty period and does not give right to a new guarantee ! In the event of recourse to the guarantee, bring back the complete apparatus to your retailer, in its original packing, accompanied by the proofs of purchase.

The breakage of parts out of glass or plastic is, in all the cases, not warranted. Defects on the accessories or the wearing parts (for example: coals of engines, hooks, drive belts, remote control of replacement, teeth brushes of replacement, webs etc) as well as cleaning, maintenance or it replacement of wearing parts are not guaranteed and are thus to pay !

In the event of foreign intervention, the guarantee becomes null and void.

After flow of the warranty period, repairs can be carried out, against payment, by a specialized trade or a repair service.

SPECIFICATIONS

Power supply	220-240V~ 50-60Hz
Power	1500W
Norm	Class I

Made in PRC

The characteristics can change without prior notice.

- This appliance does not have any protection against the risk of falling water. It should therefore be placed away from any water source (shower, bathtub, faucet, ...) and is not suitable for a bathroom.
- The electrical installation of the room, the installation of the appliance and its use must comply with the standards in force in the country of use.
(NFC15100 for France)

For additional protection, the installation of a residual current device with a rated residual operating current not exceeding 30 mA is advisable in the electrical circuit supplying the unit. Ask your installer for advice.

This unit is equipped with an electrical outlet with earth and must be earthed in an according plug.

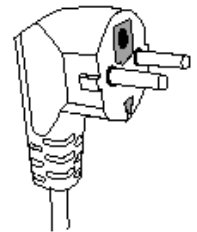
Note : In the event of question concerning the earth or electric connection, please consult a qualified personnel.

In the event of short-circuit, earthing reduces the risk of electric shock while making possible the current to be evacuated by the wire of ground.

CAUTION: In order to minimize the risks of electric shock, In the event of breakdown, not to open the case but to call upon a qualified technician for repairs.

This device complies with EC directives, it was controlled according to all current European directives, applicable such as: electromagnetic compatibility (EMC) and low voltage (LVD).

This device has been designed and manufactured in compliance with the latest regulations and technical requirements for safety.



**Imported by Sotech International
" LE PERIPOLE " N° A-107
33, Avenue du Marechal de Lattre de Tassigny
94120 Fontenay sous-bois – France**

Information requirements for electrical local space heaters Exigences d'informations applicables aux dispositifs de chauffage décentralisés électriques			
Model number/Référence(s) du modèle:		HDB-D7-7 / TCG-1551	
Item / Caractéristique	Symbol Symbole	Value Valeur	Unit Unité
Heat output / Puissance thermique			
Nominal heat output / Puissance thermique nominale	P_{nom}	1.5	kW
Minimum heat output (indicative) / Puissance thermique minimale (indicative)	P_{min}	0.6	kW
Maximum continuous heat output / Puissance thermique maximale continue	$P_{max,c}$	1.5	kW
Auxiliary electricity consumption / Consommation électrique auxiliaire			
At nominal heat output / A la puissance thermique nominale	e_{lmax}	1.455	kW
At minimum heat output / A la puissance thermique minimale	e_{lmin}	0.589	kW
In standby mode / En mode veille	e_{lsb}	N/A	kW
Type of heat input, for electric storage local space heaters only (select one) Type d'apport de chaleur, pour les dispositifs de chauffage décentralisés électrique à accumulation uniquement (sélectionner un seul type)		YES / OUI	NO / NON
manual heat charge control, with integrated thermostat contrôle thermique manuel de la charge avec thermostat intégré		N/A	N/A
manual heat charge control with room and/or outdoor temperature feedback contrôle thermique manuel de la charge avec réception d'informations sur la température de la pièce et/ou extérieure		N/A	N/A
electronic heat charge control with room and/or outdoor temperature feedback contrôle thermique électronique de la charge avec réception d'informations sur la température de la pièce et/ou extérieure		N/A	N/A
fan assisted heat output / puissance thermique régulable par ventilateur		N/A	N/A
Type of heat output/room temperature control (select one) Type de contrôle de la puissance thermique/de la température de la pièce (sélectionner un seul type)		YES / OUI	NO / NON
single stage heat output and no room temperature control contrôle de la puissance thermique à un palier, pas de contrôle de la température de la pièce			V
Two or more manual stages, no room temperature control contrôle à deux ou plusieurs paliers manuels, pas de contrôle de la température de la pièce			V
with mechanic thermostat room temperature control contrôle de la température de la pièce avec thermostat mécanique		V	
with electronic room temperature control contrôle électronique de la température de la pièce			V
electronic room temperature control plus day timer contrôle électronique de la température de la pièce et programmateur journalier			V
electronic room temperature control plus week timer contrôle électronique de la température de la pièce et programmateur hebdomadaire			V
Other control options (multiple selections possible) Autres options de contrôle (sélectionner une ou plusieurs options)		YES / OUI	NO / NON
room temperature control, with presence detection contrôle de la température de la pièce, avec détecteur de présence			V
room temperature control, with open window detection contrôle de la température de la pièce, avec détecteur de fenêtre ouverte			V
with distance control option / option contrôle à distance			V
with adaptive start control / contrôle adaptatif de l'activation			V
with working time limitation / limitation de la durée d'activation			V
with black bulb sensor / capteur à globe noir			V
Contact details / Coordonnées de contact	Sotech International 33, Av du Mal de Lattre de Tassigny 94120 Fontenay sous Bois - France		