

ELECTRIC COFFEE MACHINE

Instruction manual



Dear consumer, please read these instructions carefully before use in order to avoid damage due to incorrect use and to better understand the functions of this product. Please pay particular attention to the safety guide.

If you pass the device on to a third party, these Operating Instructions must also be handed over.

IMPORTANT SAFEGUARDS

- ❑ Please read these instructions carefully before use.
- ❑ Keep present instructions for future references.
- ❑ Check that your mains voltage corresponds to that stated on the appliance.
- ❑ Only use the appliance for domestic purposes and household or similar applications such as:
 - staff kitchen areas, in shops, offices and other working environments;
 - By clients in hotels, motels and other residential type environments;
 - Environment type like :
 - Farm Houses • Bed and Breakfast.
- ❑ Only use the appliance in the way indicated in these instructions.
- ❑ Never use this unit near bathtub, shower, wash-hand basins or other containers with water.
- ❑ Never use this apparatus near water projections.
- ❑ Never use this apparatus with the wet hands.
- ❑ If, unfortunately the apparatus is wet, immediately withdraw the cord of the socket-outlet.
- ❑ Inform potential users of these instructions.
- ❑ Never leave the appliance unsupervised when in use.
- ❑ The appliance must be used only for its intended purpose. No responsibility can be taken for any possible damage caused by incorrect use or improper handling.
- ❑ Children and persons with disabilities are not always aware of the danger posed by the use of appliances.
- ❑ This appliance can be used by children aged from 8 years and above if they have been given supervision or instruction concerning use of the appliance in a safe way and if they understand the hazards involved.
- ❑ Cleaning and user maintenance shall not be made by

- children unless they are older than 8 and supervised.
- ❑ Keep the appliance and its cord out of reach of children aged less than 8 years.
 - ❑ Appliances can be used by persons with reduced physical, sensory or mental capabilities or lack of experience and knowledge if they have been given supervision or instruction concerning use of the appliance in a safe way and understand the hazards involved.
 - ❑ Children shall not play with the appliance.
 - ❑ **WARNING:** The filling aperture must not be opened during use.
 - ❑ In order to ensure your children's safety, please keep all packaging (plastic bags, boxes, polystyrene etc.) out of their reach.
 - ❑ **Caution!** Do not allow small children to play with the foil.
THERE IS A DANGER OF SUFFOCATION!
 - ❑ From time to time check the cord for damages. Never use the appliance if cord or appliance shows any signs of damage.
 - ❑ Never immerse the appliance in water or any other liquid for any reason whatsoever.
 - ❑ Never place it into the dishwasher.
 - ❑ Never use the appliance near hot surfaces.
 - ❑ Do not operate the appliance with a damaged cord or plug, or after the appliance has been damaged in any manner.
 - ❑ If the supply cord or appliance is damaged, it must be replaced by the manufacturer or its service agent or a similarly qualified person in order to avoid a hazard.
 - ❑ Disconnect the power source cable before any operation of cleaning of maintenance and accessories assembly.
 - ❑ Never use the appliance outside and always place it in a dry environment.
 - ❑ Never use accessories, which are not recommended by the producer. They could constitute a danger to the user and risk to damage the appliance.

- ❑ Never use any other connector than the one provided.
- ❑ Never move the appliance by pulling the cord. Make sure the cord cannot get caught in any way.
- ❑ Never wind the cord around the appliance and do not bend it
- ❑ Ensure that the power cord does not come into contact with hot parts of this unit.
- ❑ Make sure the appliance has cooled down before cleaning and storing it.
- ❑ The temperature of accessible surfaces may be very high when the appliance is operating. Never touch these parts, of apparatus, to avoid burning itself.
- ❑ Make sure the appliance never comes into contact with flammable materials, such as curtains, cloth, etc...& the power cord and plug do not come in contact with water.
- ❑ Before cleaning, always unplug the appliance from the power supply and let it cool down.
- ❑ This appliance is not intended to be operated by means of an external timer or separate remote-control system.
- ❑ Always place the unit on a flat surface. Ensure, also, not to cover the device and not to put anything on it.
- ❑ Always remove the plug from the wall socket when the appliance is not in use.
- ❑ When using an extension lead always make sure that the entire cable is unwound from the reel. Use solely CE approved extension leads. Input power must be at least 16A, 250V, 3000W.
- ❑ Incorrect operation and improper use can damage the appliance and cause injury to the user.
- ❑ This device, designed for home use, complies with standards relating to this type of product.
- ❑ The appliance must be used and rested on a table or flat & stable surface.
- ❑ The item must not be left unattended when it is connected to main supply.

- ❑ The item is not to be used, if it has been dropped or if there are visible signs of damage or if it is leaking.
- ❑ Regarding the instructions for cleaning, thanks to refer to the below paragraph of the manual.
- ❑ This appliance is only intended for household use.
- ❑ Warning: avoid spillage on the connector.
- ❑ Warning: potential injury from misuse.
- ❑ The heating element surface is subject to residual heat after use.

(*) **Competent qualified person** : after sales department of the producer or importer or any person who is qualified, approved and competent to perform this kind of repairs.

GENERAL INFORMATION

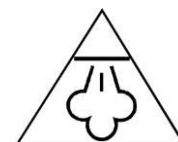
The symbol "OPEN BOOK" means a recommendation to read important things contained in the record.



The symbol "BIN" crossed out, abbreviation WEEE (Waste of Electrical and Electronic Equipment) means that at the end of life, it should not be discarded with household waste, but filed to the sorting of the locality. Waste recovery can help preserve our environment.



The symbol "STEAM" warns the user that steam can escape from the unit and to take all necessary precautions. (Risk of burns)



The symbol "CE" is the guarantee of compliance with harmonized European standards, voluntary, reflecting the essential requirements into technical specifications. These standards are not mandatory but are guarantees of compliance with essential requirements.



The symbol "GLASS / FORK" means that the device is compatible and can come into contact with foodstuffs.



The symbol ROHS (Restriction of use of some Hazardous Substances) on the Environmental Protection, certifies that for each of the five hazardous substances • Lead • Mercury • (hexavalent) chromium • products for protection against flames PBB and PBDE, the peak concentration is equal to or less than 0.1% of the weight of homogeneous material, and 0.01% for the 6th • cadmium.



The symbol "TRIMAN" indicates that the consumer is invited to dispose the product as part of a separate collection (eg recycling bin, waste, voluntary intake point).



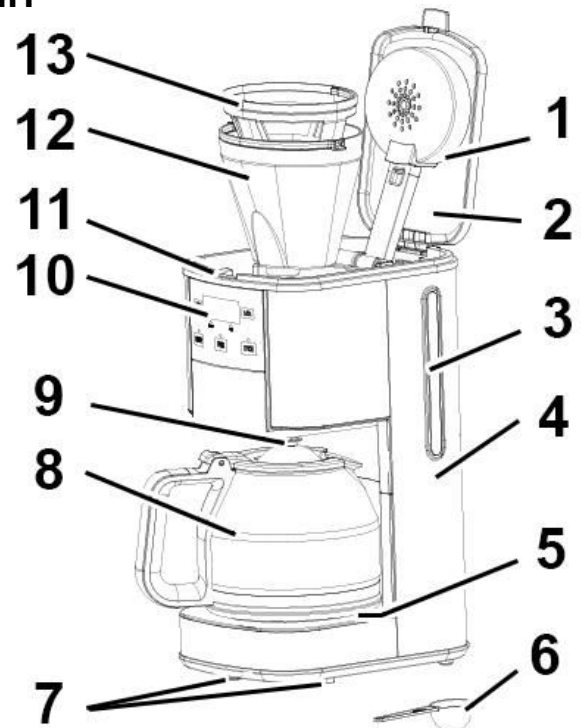
The symbol "CMIM marking" is the guarantee of compliance with the harmonized Moroccan Standards, optional, which translate the essential requirements into technical specifications. These standards are not mandatory but guarantee compliance with the essential requirements.



For more information : <http://www.quefairedemesdechets.fr>

TO KNOW ITS UNIT

1. Water flow system
2. Water tank lid
3. Water level visualization window
4. Water tank
5. Hot plate
6. Spoon / doser
7. Anti-slip feet
8. Jug
9. Anti-drip system
10. Control panel
11. Lid closure
12. Filter holder
13. Permanent filter



FIRST USE

Before first use, remove the device and all accessories gently.

- Clean all accessories and bowls with soapy water and dry thoroughly. In accordance with the instructions in the section "Cleaning and maintenance".
- Place the machine on a suitable flat and stable surface.
- Unwind the power cord completely.
- Check that the voltage in the country where you are, corresponds to the voltage indicated on the device.
- Plug the unit into a good electrical outlet, (earthed if the device is class I), to avoid any danger.
- Disconnect the power cable from the mains before any maintenance cleaning and accessory fitting operation.
- Never modify the device.

Before making the first cup of coffee, it is best to rinse the machine with clean water.

1. Open the tank lid.
 2. Pour water into the water tank.
- Note: The water level must not exceed the "MAX" mark on the tank.*
3. Close the lid of the water tank.

DO NOT PUT COFFE IN THE FILTER

4. Place the carafe under the filter holder.
5. Connect the device to the mains. The unit beeps and the display shows "12:00"
6. Press the On / Off switch. => the red indicator light comes on and the unit starts to heat up. Water flows into the filter holder and into the carafe.
7. When the water has run out, press the On / Off switch again to stop the unit.
8. Empty the jug into the sink. The machine is ready.

USE

MAKE COFFEE IMMEDIATELY

Place the permanent filter (or paper filter) in the filter holder.

While the machine is preheating, pour coffee powder into the filter and pack the coffee slightly.

Insert the assembly into the device and close the tank lid.

Press the On / Off switch. => the red indicator light comes on and the unit starts to heat up. Water flows into the filter holder and coffee into the jug.

When the water has run out, press the On / Off switch again to stop the unit.

Notes : The unit can be stopped at any time by pressing the On / Off switch.

Do not open the tank lid while the coffee is flowing.

If the machine is not shut down, the coffee can be kept warm for 30 minutes on the hotplate. After this time, the coffee maker will stop automatically.

AUTOMATIC PROGRAMMING.

Note : The time display is 24 hours.

1. Press the "PROG" (program) key. The blue pilot light corresponding to the clock setting lights up.

2. Press the 'HR' button and then the 'MIN' button to set the current time.

Note : Press 'HR' and 'MIN' keys several times to scroll and adapt the time.

3. Press the "PROG" key again. to set the starting time, The blue pilot light, corresponding to the setting starting time, lights up.

Notes : Set also the starting time with 'HR' and 'MIN' buttons.

When the setting is complete, the machine automatically exits setting after 15 seconds and the lights are off.

4. To activate the programme, press the "program (PROG)" button again. The blue pilot light indicates that the program mode is activated.

5. The coffee-maker will start automatically at the chosen time. When the coffee-maker starts, the blue indicator light turns off and the red indicator lights to indicate that the coffee machine is running.

After the coffee has run out, if the appliance is not turned off, the coffee can be kept warm for 30 minutes on the hotplate. After this time, the coffee-maker will stop automatically.

Note : It is, at any time, possible to stop programming by pressing the "PROG" key again. The blue LED will light off.

If you need to start the appliance immediately, Press the M/A switch and in this case, the red light will light on again and the coffee-maker will run out.

Note: To change the starting time programming, press the "PROG" key three times in a row. The previous time will be erased and you will have to reprogram a starting time. (To see above).

ESPRESSO

Press the "Espresso" key. The blue light above the key lights up.

Place the permanent filter (or paper filter) in the filter holder.

Pour powdered coffee into the filter and gently crush the coffee.

Insert the assembly into the device and close the tank lid.

Press the On / Off switch. => the red indicator light comes on and the unit starts to heat up. The water flows more slowly into the filter holder because, for a strong coffee, the coffee must brew longer.

Notes : The unit can be stopped at any time by pressing the On / Off switch.

Do not open the tank lid while the coffee is flowing.

If the machine is not shut down, the coffee can be kept warm for 30 minutes on the hotplate. After this time, the coffee maker will stop automatically.

This function can also be used in programming. For that, support the "Espresso" key before activating the programming. (see previous paragraph).

Tips for making good coffee

1. The coffeemaker must be clean.

It is therefore necessary to clean the coffee maker regularly, in accordance with the section "Cleaning and maintenance", and always use fresh cold water for the preparation of the coffee.

2. Store unused ground coffee in a cool, dry place.

If a packet of coffee powder is started, it must be carefully closed and put back in the refrigerator to keep it cool. It is advisable to use a box with hermetic lid.

3. For best results, buy the coffee in beans and grind it with a grinder just before you prepare it.
4. Never re-use coffee grounds already passed because the aromas will be greatly reduced and the taste unpleasant.
5. We also recommend not to heat the coffee, or especially to boil it, the taste also becomes very unpleasant.

CLEANING AND MAINTENANCE

Before cleaning, always switch off the appliance, disconnect the apparatus and let it cool.

Clean the outside of the apparatus with a sponge or slightly wet linen.

The parts (removable) in contact with food like plate, bowl, forks, Spatula etc. can be washed in hot water with sponge and soft detergent or put in the dishwasher.

Never plunge the apparatus in water or all other liquid!

Do not use abrasive cleaners, gritting, or metal brush or another cutting object.

- Do not place any other parts of your coffee machine in the dishwasher.
- Remove the filter holder from the machine by turning it counter-clockwise,
- After every use, empty the coffee grounds left inside the filter and clean it carefully.
- Dry all accessories.
- The hotplate can be wiped with a clean, damp cloth (if necessary). For stubborn stains, use a plastic scrape pad or vinegar soaked cloth.

DESCALING THE COFFEE-MAKER

Limestone build-up occurs frequently in coffee-makers. This accumulation is normal, it is caused by the minerals commonly found in tap drinking water.

Periodically, the coffee maker will need to be cleaned to remove scale deposits or minerals. When you see a noticeable slowdown in coffee time, your appliance will need to be descaled.

We recommend descaling your appliance with a white vinegar solution and cold water (two tablespoons of white vinegar diluted in a jug of cold water). Pour this solution into the water tank, and follow the instructions at the beginning of the leaflet.

Do not use the filter with the filter holder.
When the cycle is complete, empty the carafe and rinse with clear water.
Fill the water tank with cold water and repeat the cycle only with water.
Repeat this operation twice in a row. This will rinse all remaining vinegar.
We recommend that you do this four times a year.

STORAGE

- Ensure the unit is completely cool and dry.
- Do not wrap the cord around the appliance, as this will cause damage.
- Keep the appliance in a cool, dry place and out of reach from children.

GUARANTEE

Before being delivered, all our products are subjected to a rigorous control.
This apparatus is guaranteed 24 months starting from the date of purchase by the consumer.

The documents in proof of guarantee are:

- The invoice and
- The filled and stamped warrantee plate (located on side or bottom of the gift box). Without these documents in proof, no free replacement, nor no free repair, can be carried out.

During the warranty period, we deal for free, the defects of the apparatus or the accessories, rising from a defect of materials or manufacture by repair or, replacement. The services within the framework of the guarantee do not involve any extension of the warranty period and does not give right to a new guarantee!

In the event of recourse to the guarantee, bring back the complete apparatus to your retailer, in its original packing, accompanied by the proofs of purchase.

The breakage of parts out of glass or plastic is, in all the cases, not warranted.

Defects on the accessories or the wearing parts (for example: coals of engines, hooks, drive belts, remote control of replacement, teeth brushes of replacement, webs etc) as well as cleaning, maintenance or it replacement of wearing parts are not guaranteed and are thus to pay!

In the event of foreign intervention, the guarantee becomes null and void.

After flow of the warranty period, repairs can be carried out, against payment, by a specialized trade or a repair service.

SPECIFICATIONS

Power supply	220-240V~ 50/60Hz
Power	1000W
Norm	Class I

Made in PRC

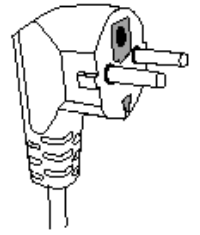
The characteristics can change without prior notice.

EARTHING

This unit is equipped with an electrical outlet with earth and must be earthed in an according plug.

Note: In the event of question concerning the earth or electric connection, please consult a qualified personnel.

In the event of short-circuit, earthing reduces the risk of electric shock while making possible the current to be evacuated by the wire of ground.



CAUTION: In order to minimize the risks of electric shock, In the event of breakdown, not to open the case but to call upon a qualified technician for repairs.

This device complies with EC directives, it was controlled according to all current European directives, applicable such as: electromagnetic compatibility (EMC) and low voltage (LVD).

This device has been designed and manufactured in compliance with the latest regulations and technical requirements for safety.

**Imported by Sotech International
" LE PERIPOLE " N°A-107
33, Avenue du Marechal de Lattre de Tassigny
94120 Fontenay sous-bois - France**