

conviv'home

TCA-150EX

ELECTRIC ESPRESSO COFFEE MACHINE

Instruction manual



Dear consumer, Please read these instructions carefully before use in order to avoid damage due to incorrect use and to better understand the functions of this product. Please pay particular attention to the safety guide.

If you pass the device on to a third party, these Operating Instructions must also be handed over.

Please keep them for future references.

IMPORTANT SAFEGUARDS

- ❑ A warning of potential injury from misuse
- ❑ The heating element surface is subject to residual heat after use
- ❑ Please read these instructions carefully before use.
- ❑ Keep present instructions for future references.
- ❑ Check that your mains voltage corresponds to that stated on the appliance.
- ❑ Only use the appliance for domestic purposes and household or similar applications such as:
 - staff kitchen areas, in shops, offices and other working environments;
 - By clients in hotels, motels and other residential type environments;
 - Environment type like : • Farm Houses • Bed and Breakfast.
- ❑ Only use the appliance in the way indicated in these instructions.
- ❑ Never use this unit near bathtub, shower, wash-hand basins or other containers with water.
- ❑ Never use this apparatus near water projections.
- ❑ Never use this apparatus with the wet hands.
- ❑ If, unfortunately the apparatus is wet, immediately withdraw the cord of the socket-outlet.
- ❑ Inform potential users of these instructions.
- ❑ Never leave the appliance unsupervised when in use.
- ❑ The appliance must be used only for its intended purpose. No responsibility can be taken for any possible damage caused by incorrect use or improper handling.
- ❑ Children and persons with disabilities are not always aware of the danger posed by the use of appliances.
- ❑ This appliance can be used by children aged from 8 years and above if they have been given supervision or instruction

concerning use of the appliance in a safe way and if they understand the hazards involved.

- ❑ This device is not a toy, do not leave small children or people with disabilities to play with.
- ❑ Cleaning and user maintenance shall not be made by children unless they are older than 8 and supervised.
- ❑ Keep the appliance and its cord out of reach of children aged less than 8 years of age.
- ❑ Appliances can be used by persons with reduced physical, sensory or mental capabilities or lack of experience and knowledge if they have been given supervision or instruction concerning use of the appliance in a safe way and understand the hazards involved. Children shall not play with the appliance.
- ❑ **WARNING:** The filling aperture must not be opened during use
- ❑ In order to ensure your children's safety, please keep all packaging (plastic bags, boxes, polystyrene etc.) out of their reach.
- ❑ **Caution ! Do not allow small children to play with the foil :**
THERE IS A DANGER OF SUFFOCATION !
- ❑ From time to time check the cord for damages. Never use the appliance if cord or appliance shows any signs of damage.
- ❑ Never immerse the appliance in water or any other liquid for any reason whatsoever.
- ❑ Never place it into the dishwasher.
- ❑ Never use the appliance near hot surfaces.
- ❑ Do not operate the appliance with a damaged cord or plug, or after the appliance has been damaged in any manner.
- ❑ If the supply cord or appliance is damaged, it must be replaced by the manufacturer, its service agent or similarly qualified person in order to avoid a hazard.
- ❑ Disconnect the power source cable before any operation of cleaning of maintenance and accessories assembly.

- ❑ Never use the appliance outside and always place it in a dry environment.
- ❑ Never use accessories, which are not recommended by the producer. They could constitute a danger to the user and risk to damage the appliance.
- ❑ Never use any other connector than the one provided.
- ❑ Never move the appliance by pulling the cord. Make sure the cord cannot get caught in any way.
- ❑ Never wind the cord around the appliance and do not bend it
- ❑ Ensure that the power cord does not come into contact with hot parts of this unit.
- ❑ Make sure the appliance has cooled down before cleaning and storing it.
- ❑ The temperature of accessible surfaces may be very high when the appliance is operating. Never touch these parts, of apparatus, to avoid burning itself.
- ❑ Make sure the appliance never comes into contact with flammable materials, such as curtains, cloth, etc...& the power cord and plug do not come in contact with water.
- ❑ Before cleaning, always unplug the appliance from the power supply and let it cool down.
- ❑ This appliance is not intended to be operated by means of an external timer or separate remote-control system.
- ❑ Always place the unit on a flat surface. Ensure, also, not to cover the device and not to put anything on it.
- ❑ Always remove the plug from the wall socket when the appliance is not in use.
- ❑ When using an extension lead always make sure that the entire cable is unwound from the reel. Use solely CE approved extension leads. Input power must be at least 16A, 250V, 3000W.
- ❑ Incorrect operation and improper use can damage the appliance and cause injury to the user.
- ❑ This device, designed for home use, complies with standards relating to this type of product.

- ❑ The appliance must be used and rested on a table or flat & stable surface.
- ❑ The item must not be left unattended when it is connected to main supply.
- ❑ The item is not to be used, if it has been dropped or if there are visible signs of damage or if it is leaking.
- ❑ Regarding the instructions for cleaning, thanks to refer to the below paragraph of the manual.
- ❑ This appliance is only intended for household use.

(*) **Competent qualified person** : after sales department of the producer or importer or any person who is qualified, approved and competent to perform this kind of repairs.

GENERAL INFORMATION

The symbol "OPEN BOOK" means a recommendation to read important things contained in the record.



The symbol "BIN" crossed out, abbreviation WEEE (Waste of Electrical and Electronic Equipment) means that at the end of life, it should not be discarded with household waste, but filed to the sorting of the locality. Waste recovery can help preserve our environment.



The symbol "CE" is the guarantee of compliance with harmonized European standards, voluntary, reflecting the essential requirements into technical specifications. These standards are not mandatory but are guarantees of compliance with essential requirements.



The symbol "GLASS / FORK" means that the device is compatible and can come into contact with foodstuffs.



The symbol ROHS (Restriction of use of some Hazardous Substances) on the Environmental Protection, certifies that for each of the five hazardous substances • Lead • Mercury • (hexavalent) chromium • products for protection against flames PBB and PBDE, the peak concentration is equal to or less than 0.1% of the weight of homogeneous material, and 0.01% for the 6th • cadmium.



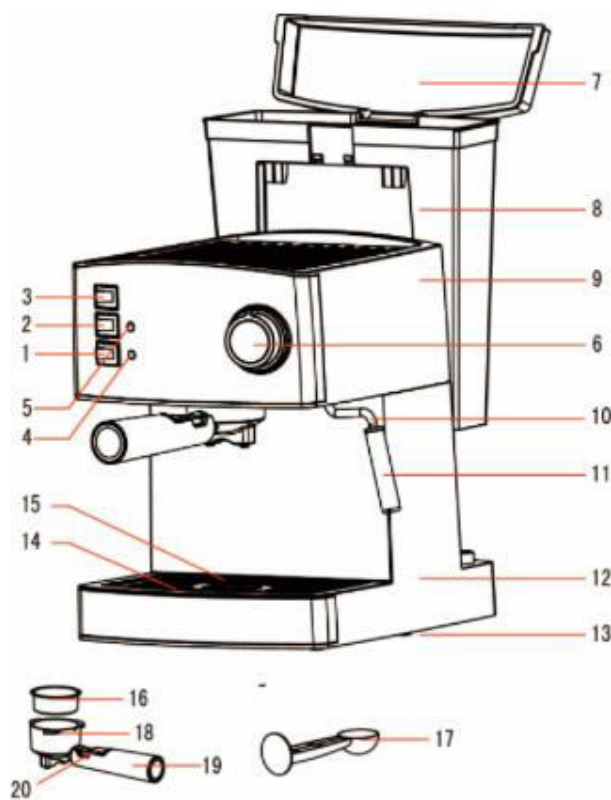
The symbol "TRIMAN" indicates that the consumer is invited to dispose the product as part of a separate collection (eg recycling bin, waste, voluntary intake point).



For more information : <http://www.quefairedemesdechets.fr>

TO KNOW ITS UNIT

1. ON/OFF switch
2. Coffee/Hot water selector
3. Steam button
4. Red Pilot light
5. Green Pilot light
6. Steam control knob
7. Water tank cover
8. Water tank
9. Top cover & Cups heater
10. Steam nozzle
11. Foam tube
12. Main body
13. Bottom
14. Drip tray
15. Removable grid
16. Stainless Steel filter
17. Measuring spoon and tamper
18. Filter & Pod holder
19. Holder handle
20. Filter Ejection switch (press it to take off the filter and avoid it slipping out)



FIRST USE

Before first use, remove the device and all accessories.

- Clean the apparatus according to the instructions in "Cleaning" paragraph.
- Place the machine on a suitable flat, stable surface.
- Unroll the power cord completely.
- Check that the tension in force in the country where you are corresponds to that indicated on the apparatus.
- Connect the apparatus in a correct socket-outlet, (and connected to the ground if the unit is Class I), to avoid any danger.
- Disconnect the power source cable before any operation of cleaning of maintenance and accessories assembly.
- Never modify the appliance in anyway.

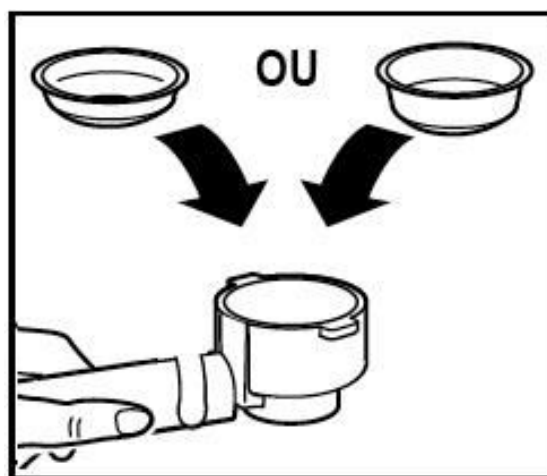
To ensure the first cup of coffee with excellent taste, it is better to rinse the coffee holder with hot water as follows:

1. Pour half a tank of water into water tank, the water level should not exceed the "MAX" mark in the tank.

Note: The appliance is supplied with a detachable tank for easy cleaning, you can fill the tank with water firstly, and then put the tank into the appliance.

2. Then replace the water tank cover.

3. Set stainless steel filter into metal filter holder (no coffee powder in it).



4. Introduce the filter holder in the machine



5. Turn right until the mark on the machine is in front of the handle



6. Place a jug on removable grid.

Note: The appliance is not equipped with jug, Use your own jug or coffee cup.



7. Make sure the Steam control knob (on **A**), the Steam button(5) and the Coffee/Hot water (3) are on the “OFF” or “0” position.

8. Connect to power source, turn the ON/OFF button (1) to the “1” position. The red pilot light (2) will light up.

9. Wait for the Green pilot light (4) turning on.

When the light is on,

10. Press the Coffee/Hot water selector (3) to the “1” position. the pump will pump water, and will go out by the filter nose.

Note: If the Green pilot light (4) turns off, Press the Coffee/Hot water selector (3) to the “0” position and wait for the green lamp lights again.

When the appliance is again pre-heated the green lamp is illuminated. (it

shows the pre-heating is finish). Pressing coffee/hot water selector to the “1” position again, and water will flow out.

11. After water not dropping out any more, Press the Coffee/Hot water selector to the “0” position.

12. Pour the water out then clean it thoroughly, now you can start brewing.

Note: There may be noise when the pump works on the first time, it is normal, the appliance is releasing the air in the appliance. After about 20s, the noise will disappear.

PRE-HEATING

To make a cup of good hot Espresso coffee, we recommend you preheating the appliance before making coffee, including filter holder, filter and cup, so that the coffee flavour can not be influenced by the cold parts.

1. Pour water into water tank.

Note: the water level should not exceed the “MAX” mark in the tank.

2. Replace the tank properly in the unit.

3. Select the one-cup or two-cup stainless steel filter & Set it into filter holder.

4. Introduce the filter holder in the machine

5. Turn right, until the mark, on the machine, is in front of the handle

6. Place a jug on removable grid.

7. Make sure the Steam control knob (on **A**), the Steam button(5) and the Coffee/Hot water (3) are on the “OFF” or “0” position.

8. Connect to power source,

9. Turn the ON/OFF button (1) to the “1” position. The red pilot light (2) will light up.

10. Wait for the Green pilot light turning on.

When the green light is on,

11. Press the Coffee/Hot water selector to the “1” position. the pump will pump water, and will go out by the filter nose.

Note: If the Green pilot light turns off, Press the Coffee/Hot water selector (3) to the “0” position and wait for the green lamp lights again.

When the appliance is again pre-heated the green lamp is illuminated. (it shows the pre-heating is finish). Pressing coffee/hot water selector (3) to the “1” position again, and water will flow out.

12. When the green pilot light turn off, Press the Coffee/Hot water selector (3) to the “0” position. Pre-heating is over.

TO MAKE ESPRESSO

1. Pour water into water tank.

2. **Note:** the water level should not exceed the “MAX” mark in the tank.

3. Replace the tank properly in the unit.

4. Remove the filter holder by turning the handle clockwise.
5. Place in a stainless steel filters below, (previously set in the filter holder).
 - Stainless steel filter "2 cups" for ground coffee. 1.5 of the "measuring spoon" for 1 cup and 2 "measuring spoon" for 2 cups of coffee.
 - Filter stainless marked "pod" for 1 flexible or E.S.E. pod of ground coffee trade. (Size 44 / 55mm).

Notes: For the coffee powder, use the "dosing spoon" to fill and the other end "Tamper" to lightly tamp the coffee.

A full spoon and a half of ground coffee, dosing, correspond to a cup of premium coffee.

6. Introduce the filter holder in the machine
7. Turn right, until the mark, on the machine, is in front of the handle
8. Place a jug on removable grid.
9. Make sure the Steam control knob (on **A**), the Steam button(5) and the Coffee/Hot water (3) are on the "OFF" or "0" position.
10. Connect to power source,
11. Turn the ON/OFF button to the "1" position. The red pilot light will light up.
12. Wait for the Green pilot light turning on.

When the green light is on :

13. Press the Coffee / Hot water selector to the "1" position. the pump will pump water, and will go out by the filter nose.

When the desired coffee is obtained (or the colour of coffee becomes pale) :

14. Turn the hot water selector / coffee & the ON/Off button on the "0" position. The red and green lights turn off and the coffee machine stops working.
15. Your coffee is ready.

Note: If the Green pilot light turns off during operation, Press the Coffee/Hot water selector to the "0" position and wait for the green lamp lights again.

Warning: Do not leave the coffee machine unattended during use as it is, at times, required a manual operation.

16. After you have finished making coffee, Remove the filter holder by turning the handle to the left, and then pour the coffee grounds in a dustbin.

Warning not to throw away the stainless steel filter!

17. AFTER EACH USE, Allow cooling and rinsing filter and filter holder with running water.

TO MAKE CAPPUCCINO / MILK FOAM

You get a cup of cappuccino when you top up a cup of espresso with frothing milk.

Method:

1. First, Prepare espresso according to the part "MAKE ESPRESSO COFFEE", with container big enough to receive the foam.

Note: Make sure the Steam control knob (on **A**), the Steam button(5) and the Coffee/Hot water (3) are on the "OFF" or "0" position.

2. Turn the ON/OFF button to the "1" position. The red pilot light will light up.

3. Wait for the Green pilot light turning on.

When the green light is on,

4. Turn the Coffee/Hot water selector to the “1” position. the pump will pump

Note: To be sure that the steam control knob is at the “OFF” or “0” position.

5. Press Steam button to the “1” position,

6. Fill a jug with about 100 grams (10cl) of milk for each cappuccino to be prepared, you are recommended to use whole milk at refrigerator temperature.

Note: In choosing the size of jug, it is recommend that the diameter is not less than 70mm, and, bear in mind that milk increases in volume by 2 times when becoming foam.

Make sure the height of jug is enough.

7. Turn the steam control knob slowly in anti-clockwise, steam will come out from the frothing device.

Note: Never turn the steam control button rapidly, as the steam will accumulate rapidly in short time, which may increase the potential of the risk of explosion.

During operation, if the green indicator is extinguished, you should :

- turn the Steam control knob to “OFF” or “0” position (A).
- Press Coffee/Hot water selector to the “1” position and pump water.
- After about 30s, Close the pump by putting Coffee/Hot water selector to the “0” position.
- Then wait for until the green indicator is illuminated and turn, gently, the Steam control knob in anti-clockwise (B), the steam will come out again.

8. Insert the frothing device into the milk about two centimetre, froth milk in the way moving the jug round from up to down.

9. When the milk foam is formed, Turn the steam control button to “OFF” or “0” position.

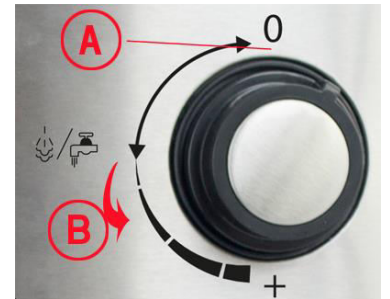
Note: Clean steam outlet with wet sponge immediately after using, but care not to burn your hand.

10. Pour the frothed milk into the prepared espresso.

- Sweeten to your taste
- Sprinkle the froth with a little cocoa powder.
- Now the cappuccino is ready.

11. Press the ON/OFF switch to the “0” position to cut the power source off.

Note: we recommend you allow the Espresso machine to cool down, at least for 5 minutes, before making coffee again. Otherwise burnt odour may occur in your Espresso coffee.



TO MAKE HOT WATER

With this function, you can directly make hot water eg for hot tea.

Also clean the cups, pre-heat your coffee cup. (to ensure that the temperature of the coffee will not decrease.)

Method:

1. Pour water into water tank.

Note: the water level should not exceed the “MAX” mark in the tank.

2. Replace the tank properly in the unit.

Make sure the Steam control knob (on **A**), the Steam button (5) and the Coffee/Hot water (3) are on the “OFF” or “0” position.

3. Connect to power source,

4. Turn the ON/OFF button to the “1” position. The red pilot light will light up.

5. Wait for the Green pilot light turning on.

6. When the green light is on,

12. Turn the Steam control knob in anti-clockwise position (**B**). Rotate, at least, 135°.

13. Turn the Coffee/Hot water selector (3) to the “1” position. The pump will pump and hot water will flow out from the steam nozzle.

Notes: If the Green pilot light turns off, Press the Coffee/Hot water selector to the “0” position and wait for the green lamp lights again.

At first the hot water will scatter from the steam tube. May let the steam wand outlet close to the coffee cup wall. From this moment, pay attention to the projection of hot water. Splash may burns skin.

When jug is filled in:

14. Turn the Steam control knob in clockwise position on the "0" position (**A**).

15. Press the ON/OFF switch to the “0” position to cut the power source off.

Note: The red and green lights turn off and the coffee machine stops working.

PRODUCING STEAM TO HEAT LIQUIDS

The steam tube (without the frothing device) can be used to make hot beverages like drinking chocolate, Hot water or Hot tea.

Method:

1. Pour water into water tank.

Note: the water level should not exceed the “MAX” mark in the tank.

2. Replace the tank properly in the unit.

Make sure the Steam control knob (on **A**), the Steam button (5) and the Coffee/Hot water (3) are on the “OFF” or “0” position.

3. Connect to power source,

4. Turn the ON/OFF button to the “1” position. The red pilot light will light up.

5. Turn the Coffee/Hot water selector to the “1” position. The pump will pump, when water will flow out, Close the pump by putting Coffee/Hot water

selector to the “0” position.

6. Immediately, put the Steam button (5) to the “1” position and wait for a moment. the appliance begins to be heated until the green lamp is illuminated, it shows the heating is finish.

Notes: If the Green pilot light turns off, Press the Coffee/Hot water selector to the “0” position and wait for the green lamp lights again.

7. Remove the Foam tube device from the steam nozzle.
8. Dip the steam tube into the liquid to be heated.
9. Turn the Steam Control Knob (**From A to B**) in anti-clockwise position, slowly to start making steam.

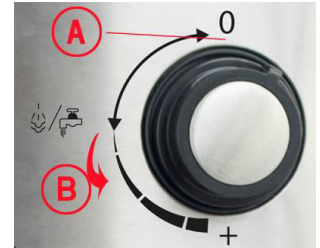
When the required temperature is reached,

10. Turn the Steam Control Knob in clockwise direction to “OFF” or “0” position. (**From B to A**).

11. Press the ON/OFF switch to the “0” position to cut the power source off.

Notes: The red and green lights turn off and the coffee machine stops working.

Clean steam outlet with wet sponge immediately after using, but care not to burn your hand.



CLEANING AND MAINTENANCE

Before cleaning, Always switch off the appliance, disconnect the apparatus and let it cool.

Clean the outside of the apparatus with a sponge or slightly wet linen.

The parts (removable) in contact with food like plate, bowl, forks, Spatula etc. can be washed in hot water with sponge and soft detergent or put in the dishwasher.

Never plunge the apparatus in water or all other liquid !

Do not use abrasive cleaners, gritting, or metal brush or another cutting object.

- Do not place any other parts of your coffee machine in the dishwasher.
- Remove the filter holder from the machine by turning it counter clockwise,
- AFTER EACH USE, empty the coffee grounds left inside the filter and clean it carefully.
- Dry all accessories.

CLEANING MINERAL DEPOSITS

To ensure your coffee to work effectively, you need to clean the interior pipe;

Every 2 or 3 months, From Mineral deposits left, to maintain the flavour and aroma of the coffee.

1. Fill the tank to the MAX level with water and descaler (the scale of water and descaler is 4:1;) the detail refers to the instruction of descaler.

Please use “household descaler”, you can use the citric acid (obtainable from chemist’s or drug stores) instead of the descaler (the one hundred parts of water and three parts of citric acid).

2. According to the program of pre-heating, put the filter holder (with no coffee powder in it) and jug in place.
Make sure the Steam control knob, the Steam button and the Coffee/Hot water are on the "OFF" or "0" position.
3. Connect to power source,
4. Turn the ON/OFF button to the "1" position. The red pilot light will light up.
5. Wait for the Green pilot light turning on.
Note: If the Green pilot light turns off, Press the Coffee/Hot water selector to the "0" position and wait for the green lamp lights again.
6. When the green lamp is illuminated, it shows the heating is finish. Press the Coffee/Hot water selector to the "1" position and make two cups coffee (about 20z).
7. Then close the pump (putting the coffee/hot water selector to the "0" position) and wait for 5s.
8. Press the Steam button to the "1" position, waiting for until the green indicator is illuminated.
9. Make steam for 2min, turning the steam control knob to "ON" or "1" position
10. Then turn the steam control knob to "OFF" or "0" position to stop making steam.
11. Press the steam button to the "0" position to, immediately,
12. Press the ON/OFF switch to "1" position to stop the unit. Make the descaler deposit in the unit at least 15 minutes.
7. Restart the unit and repeat the steps of 4-6 at least 3 times.
8. Then, Press the ON/OFF switch to "1" position, when the green lamp is illuminated, press the coffee/hot water selector to the "1" position to brew until no descaler is left.
9. Then brewing coffee (no coffee powder) with tap water in the MAX level, repeat the steps of 4-6 for 3 times (it is not necessary to wait for 15 minutes in step of 6), then brewing until no water is left in the tank.
10. Repeat the step of 9 at least 3 times to make sure the piping is clean.

STORAGE

- Ensure the unit is completely cool and dry.
- Do not wrap the cord around the appliance, as this will cause damage.
- Keep the appliance in a cool, dry place and out of reach from children.

GUARANTEE

Before being delivered, all our products are subjected to a rigorous control. This apparatus is guaranteed 24 months starting from the date of purchase by the consumer.

The documents in proof of guarantee are :

- The invoice and
- The filled and stamped warranty plate (located on side or bottom of the gift box). Without these documents in proof, no free replacement, nor no free repair, can be carried out.

During the warranty period, we deal for free, the defects of the apparatus or the accessories, rising from a defect of materials or manufacture by repair or, replacement. The services within the framework of the guarantee do not involve any extension of the warranty period and does not give right to a new guarantee ! In the event of recourse to the guarantee, bring back the complete apparatus to your retailer, in its original packing, accompanied by the proofs of purchase.

The breakage of parts out of glass or plastic is, in all the cases, not warranted. Defects on the accessories or the wearing parts (for example: coals of engines, hooks, drive belts, remote control of replacement, teeth brushes of replacement, webs etc) as well as cleaning, maintenance or it replacement of wearing parts are not guaranteed and are thus to pay !

In the event of foreign intervention, the guarantee becomes null and void.

After flow of the warranty period, repairs can be carried out, against payment, by a specialized trade or a repair service.

SPECIFICATIONS

Power supply	220-240V~ 50/60Hz
Power	850W
Norm	Class I

Made in PRC

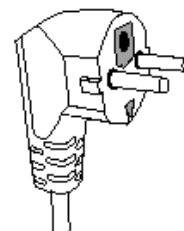
The characteristics can change without preliminary preventing

EARTHING

This unit is equipped with an electrical outlet with earth and must be earthed in an according plug.

Note : In the event of question concerning the earth or electric connection, please consult a qualified personnel.

In the event of short-circuit, earthing reduces the risk of electric shock while making possible the current to be evacuated by the wire of ground.



CAUTION: In order to minimize the risks of electric shock, In the event of breakdown, not to open the case but to call upon a qualified technician for repairs.

This device complies with EC directives, it was controlled according to all current European directives, applicable such as: electromagnetic compatibility (EMC) and low voltage (LVD).

This device has been designed and manufactured in compliance with the latest regulations and technical requirements for safety.

**Imported by Sotech International
" LE PERIPOLE " N°A106 - A107
33, Avenue du Marechal de Lattre de Tassigny
94120 Fontenay sous bois - France**

SERIE
PODEO 