

# HAND CLEANER INSTRUCTION MANUAL



Dear consumer, Please read these instructions carefully before use in order to avoid damage due to incorrect use and to better understand the functions of this product. Please pay particular attention to the safety guide.

If you pass the device on to a third party, these Operating Instructions must also be handed over.

Please keep them for future references.

## IMPORTANT SAFEGUARDS

- ❑ The appliance is only to be used with the power supply unit provided with the appliance.
- ❑ Please read these instructions carefully before use.
- ❑ Keep present instructions for future references.
- ❑ Only use the appliance for domestic purposes and household or similar applications such as:
  - Staff kitchen areas, in shops, offices and other working environments;
  - By clients in hotels, motels and other residential type environments;
  - Environment type like :
    - Farm Houses • Bed and Breakfast.
- ❑ Only use the appliance in the way indicated in these instructions.
- ❑ Inform potential users of these instructions.
- ❑ Never leave the appliance unsupervised when in use.
- ❑ The appliance must be used only for its intended purpose. No responsibility can be taken for any possible damage caused by incorrect use or improper handling.
- ❑ Children and persons with disabilities are not always aware of the danger posed by the use of appliances.
- ❑ This device can be used by children aged 8 years and older and adults, with reduced physical, sensory or mental capabilities or lack of experience and knowledge, if they have been given supervision or instruction concerning use of the appliance in a safe way and understand the hazards involved.
- ❑ Children shall not play with the appliance.
- ❑ Cleaning and user maintenance shall not be made by children unless they are supervised.
- ❑ Keep the appliance and its cord out of reach of children aged less than 8 years of age when it is energized or cooling down.

- ❑ This device is not a toy, do not leave small children or people with disabilities to play with.
- ❑ In order to ensure your children's safety, please keep all packaging (plastic bags, boxes, polystyrene etc.) out of their reach.
- ❑ Caution ! Do not allow small children to play with the foil :  
**THERE IS A DANGER OF SUFFOCATION !**
- ❑ Never place it into the dishwasher.
- ❑ Never use accessories, which are not recommended by the producer. They could constitute a danger to the user and risk to damage the appliance.
- ❑ Incorrect operation and improper use can damage the appliance and cause injury to the user.
- ❑ This device, designed for home use, complies with standards relating to this type of product.
- ❑ The item is not to be used, if it has been dropped or if there are visible signs of damage or if it is leaking.
- ❑ This appliance is only intended for household use.

## GENERAL INFORMATION

The symbol "OPEN BOOK" means a recommendation to read important things contained in the record.



The symbol "BIN" crossed out, abbreviation WEEE (Waste of Electrical and Electronic Equipment) means that at the end of life, it should not be discarded with household waste, but filed to the sorting of the locality. Waste recovery can help preserve our environment.



The symbol "CE" is the guarantee of compliance with harmonized European standards, voluntary, reflecting the essential requirements into technical specifications. These standards are not mandatory



but are guarantees of compliance with essential requirements.

The symbol ROHS (Restriction of use of some Hazardous Substances) on the Environmental Protection, certifies that for each of the five hazardous substances • Lead • Mercury • (hexavalent) chromium • products for protection against flames PBB and PBDE, the peak concentration is equal to or less than 0.1% of the weight of homogeneous material, and 0.01% for the 6th • cadmium.



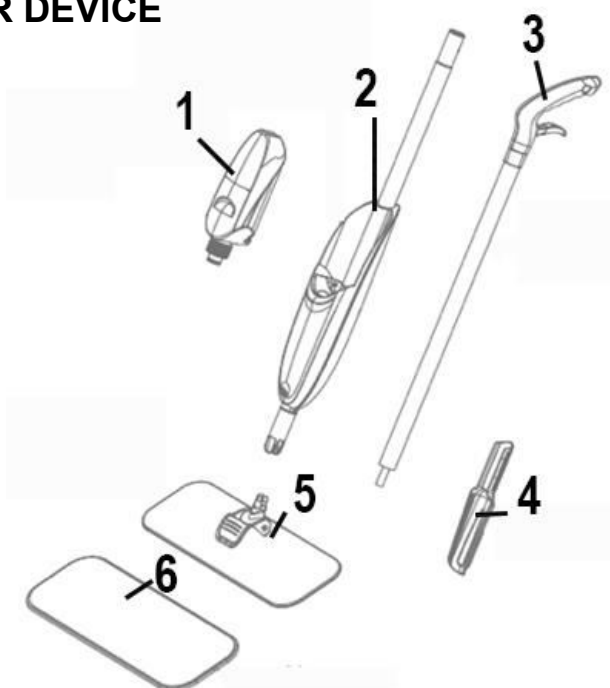
The symbol "TRIMAN" indicates that the consumer is invited to dispose the product as part of a separate collection (eg recycling bin, waste, voluntary intake point).



For more information : <http://www.quefairedemesdechets.fr>

### TO KNOW YOUR DEVICE

1. Water tank
2. Main part of the device
3. Handle and tube connecting the appliance and the mop
4. Scraper to clean the mop
5. Mop holder
6. Mop



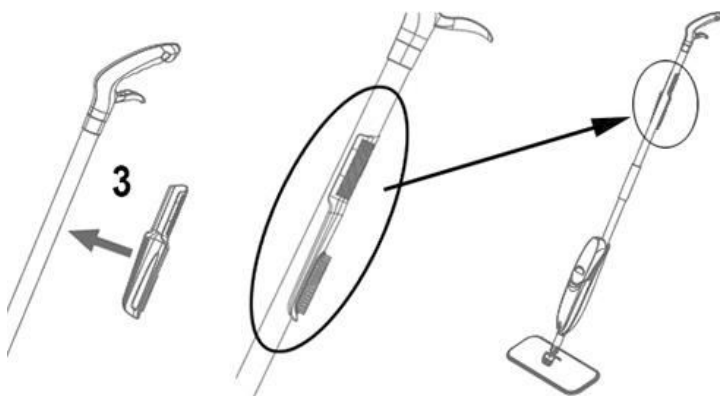
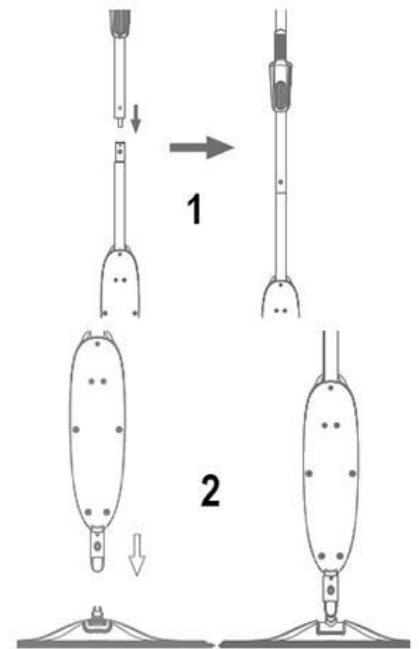
## RECOMMENDATIONS

- If detergent is used, it is recommended to follow the instructions for use of this detergent. However, it is advisable to use only clean water in the water tank.
- Do not put any corrosive products or liquids.
- The pump and the nozzle in the body of the device are fragile structures and may be clogged by a too powerful detergent.
- When using detergent, add pure water from time to time in the tank to assist in spraying.
- Cleaning the pump and the nozzle with pure water is necessary after each use with detergent.
- It is recommended to rinse the mop with clean water before each use.
- Do not wash the mop provided with a softener product.
- If the sprayer is blocked by a foreign object or a residue of cleaning liquid, the spray cannot work properly.  
In this case, use a needle to unclog the sprayer.

## MOUNTING

Install the tube and the handle on the body of the device (1)

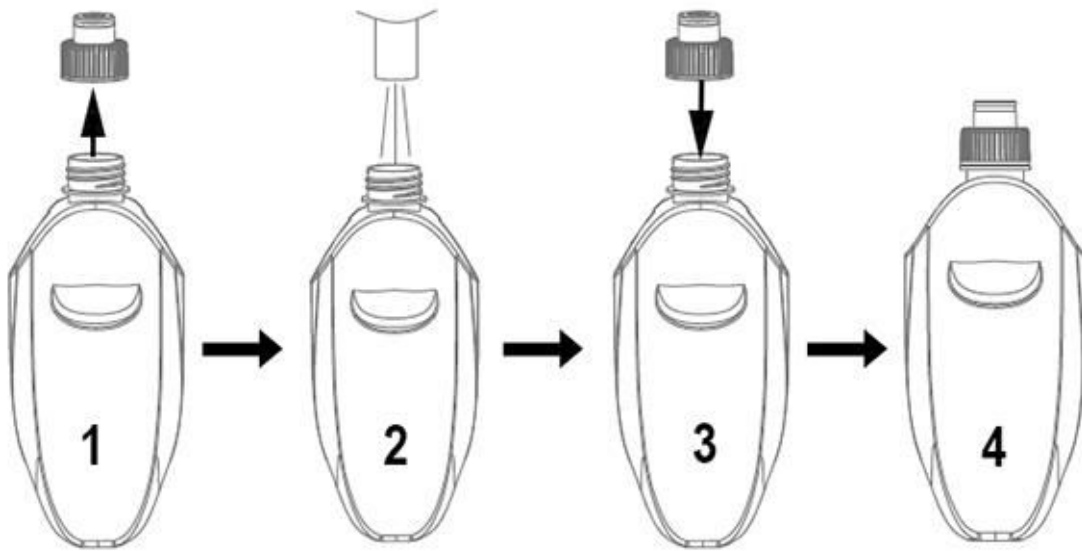
Install the body of the appliance on the mop holder (2)



Install (clipping by forcing slightly) the scraper on the tube, below the handle, to have it easily at hand. (3)

## USE

### Filling the water tank



#### **Open the water tank cap. (1)**

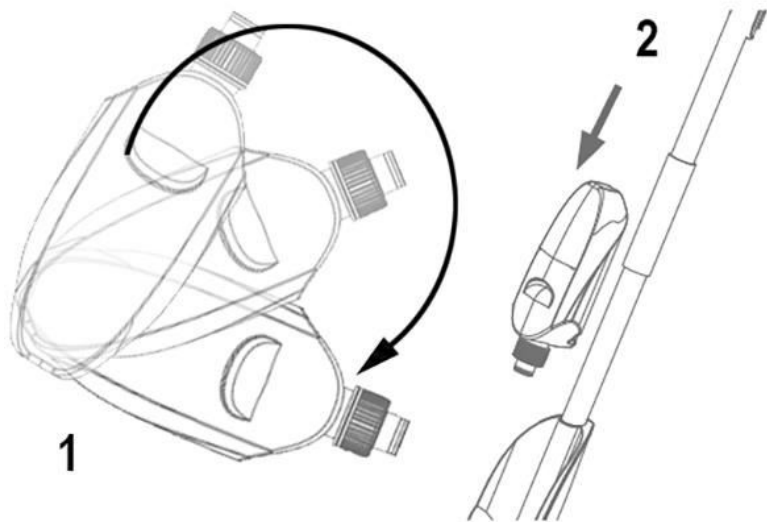
Fill the tank with clear water (2), possibly with a mild commercial detergent.

Screw the tank cap back on. (3)

Check that the tank cap is well tight. (4)

### Installing the water tank

Flip the water tank upside down (1) and install the tank on the unit (head down). (2)



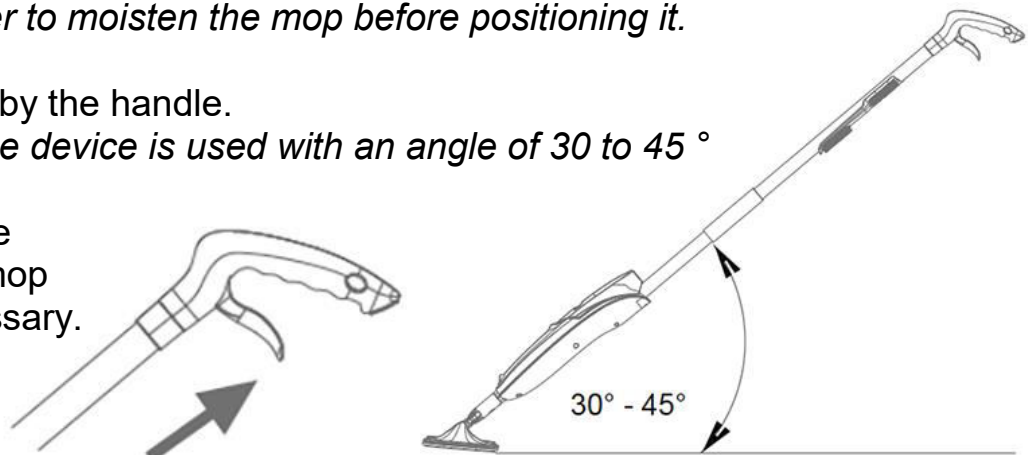
Install the mop under the support.

*Note: Remember to moisten the mop before positioning it.*

Hold the device by the handle.

*Note: The device is used with an angle of 30 to 45 °*

Press the handle to moisten the mop whenever necessary.



The tank contains 500ml and must therefore be refilled periodically. After use, remove the mop and wash with commercial detergent. Rinse and let it dry.

Remove the water tank from its housing by pulling upwards.

Empty the tank (and rinse, if it contains detergent). Half fill with clean water, reinstall the tank on the unit and flip the handle several times to flush the mechanism and spray tip.

If necessary, To clean the mop, remove the scraper from its support and use the most useful face.

### 1. Flat Edge

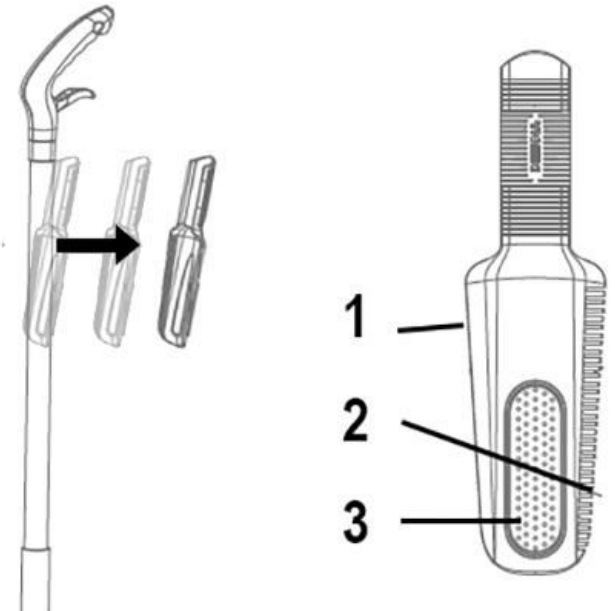
Used to remove excess moisture on the mop

### 2. Sawtooth Edge

Used to remove hair, threads and dust caught in the mop

### 3. Soft edge

Helps to clean stubborn stains



## CLEANING AND MAINTENANCE

Clean the outside of the apparatus with a sponge or slightly wet linen. Do not use abrasive cleaners, gritting, or metal brush or another cutting object.

## STORAGE

Keep the appliance in a cool, dry place and out of reach from children.

## GUARANTEE

Before being delivered, all our products are subjected to a rigorous control. This apparatus is guaranteed 24 months starting from the date of purchase by the consumer.

The documents in proof of guarantee are :

- The invoice and
- The filled and stamped warrantee plate (located on side or bottom of the gift box). Without these documents in proof, no free replacement, nor no free repair, can be carried out.

During the warranty period, we deal for free, the defects of the apparatus or the accessories, rising from a defect of materials or manufacture by repair or,

replacement. The services within the framework of the guarantee do not involve any extension of the warranty period and does not give right to a new guarantee! In the event of recourse to the guarantee, bring back the complete apparatus to your retailer, in its original packing, accompanied by the proofs of purchase. The breakage of parts out of glass or plastic is, in all the cases, not warranted. Defects on the accessories or the wearing parts (for example: coals of engines, hooks, drive belts, remote control of replacement, teeth brushes of replacement, webs etc) as well as cleaning, maintenance or it replacement of wearing parts are not guaranteed and are thus to pay! In the event of foreign intervention, the guarantee becomes null and void. After flow of the warranty period, repairs can be carried out, against payment, by a specialized trade or a repair service.

### **SPECIFICATIONS**

Model	TBS-606
Tank capacity	500ml
Net weight	1,1kg
	Made in P.R.C

*The characteristics can change without prior notice*

This apparatus satisfied EC directives, it was controlled according to all the European current directives.

This apparatus was designed and manufactured in respect of the last safety regulations and technical specifications.

**Imported by Sotech International  
" LE PERIPOLE " N°A107  
33, Avenue du Marechal de Lattre de Tassigny  
94120 Fontenay sous bois - France**