

**ELECTRIC BARBECUE  
TABLE & STAND**

**INSTRUCTION MANUAL**



Dear consumer, Please read these instructions carefully before use in order to avoid damage due to incorrect use and to better understand the functions of this product. Please pay particular attention to the safety guide.

If you pass the device on to a third party, these Operating Instructions must also be handed over.

Please keep them for future references.

## IMPORTANT SAFEGUARDS

- ❑ Please read these instructions carefully before use.
- ❑ Keep present instructions for future references.
- ❑ Check that your mains voltage corresponds to that stated on the appliance.
- ❑ Only use the appliance for domestic purposes and household or similar applications such as:
  - staff kitchen areas, in shops, offices and other working environments;
  - by clients in hotels, motels and other residential type environments;
  - Environment type like :
    - Farm Houses • Bed and Breakfast.
- ❑ Only use the appliance in the way indicated in these instructions.
- ❑ Never use this unit near bathtub, shower, wash-hand basins or other containers with water.
- ❑ Never use this apparatus near water projections.
- ❑ Never use this apparatus with the wet hands.
- ❑ If, unfortunately the apparatus is wet, immediately withdraw the cord of the socket-outlet.
- ❑ Inform potential users of these instructions.
- ❑ Never leave the appliance unsupervised when in use.
- ❑ The appliance must be used only for its intended purpose. No responsibility can be taken for any possible damage caused by incorrect use or improper handling.
- ❑ Children and persons with disabilities are not always aware of the danger posed by the use of appliances.
- ❑ This device can be used by children aged 8 years and older and adults, with reduced physical, sensory or mental capabilities or lack of experience and knowledge, if they have been given supervision or instruction concerning use of the appliance in a safe way and understand the hazards involved.

- Cleaning and user maintenance shall not be made by children unless they are older than 8 and supervised.
- Keep the appliance and its cord out of reach of children aged less than 8 years of age.
- This device is not a toy, do not leave children or people with disabilities to play with.
- In order to ensure your children's safety, please keep all packaging (plastic bags, boxes, polystyrene etc.) out of their reach.
- Caution ! Do not allow small children to play with the foil :  
**THERE IS A DANGER OF SUFFOCATION !**
- From time to time check the cord for damages. Never use the appliance if cord or appliance shows any signs of damage.
- Never immerse the appliance in water or any other liquid for any reason whatsoever.
- Never place it into the dishwasher.
- Never use the appliance near hot surfaces.
- Do not operate the appliance with a damaged cord or plug, or after the appliance has been damaged in any manner.
- If the supply cord or appliance is damaged, it must be replaced by the manufacturer or its service agent or a similarly qualified person in order to avoid a hazard.
- Disconnect the power source cable before any operation of cleaning of maintenance and accessories assembly.
- Never use the appliance outside and always place it in a dry environment.
- Never use accessories, which are not recommended by the producer. They could constitute a danger to the user and risk to damage the appliance.
- Never use any other connector than the one provided.
- Never move the appliance by pulling the cord. Make sure the cord cannot get caught in any way.
- Never wind the cord around the appliance and do not bend it

- Ensure that the power cord does not come into contact with hot parts of this unit.
- Make sure the appliance has cooled down before cleaning and storing it.
- The temperature of accessible surfaces may be very high when the appliance is operating. Never touch these parts, of apparatus, to avoid burning itself.
- Make sure the appliance never comes into contact with flammable materials, such as curtains, cloth, etc...& the power cord and plug do not come in contact with water.
- Before cleaning, always unplug the appliance from the power supply and let it cool down.
- This appliance is not intended to be operated by means of an external timer or separate remote-control system.
- Always place the unit on a flat surface. Ensure, also, not to cover the device and not to put anything on it.
- Always remove the plug from the wall socket when the appliance is not in use.
- When using an extension lead always make sure that the entire cable is unwound from the reel. Use solely CE approved extension leads. Input power must be at least 16A, 250V, 3000W.
- Incorrect operation and improper use can damage the appliance and cause injury to the user.
- This device, designed for home use, complies with standards relating to this type of product.
- The appliance must be used and rested on a table or flat & stable surface.
- The item must not be left unattended when it is connected to main supply.
- The item is not to be used, if it has been dropped or if there are visible signs of damage or if it is leaking.
- This appliance is only intended for household use.
- Regarding the instructions for cleaning surfaces in contact with food, refer to below paragraph of the manual.

## SPECIAL WARNING FOR BBQ GRILL

Caution : During operation the temperature of the exposed surface may be very hot. **Danger of burns !**

- Charcoal or similar fuels must not be used for this device.
- The grilling trough must always be filled with water. The water bath and the metal sheet prevent excessive heat radiation in the area of the standing surface of the grill.
- Place the unit on a flat and heat-resistant surface. In the case of sensitive surfaces, please, place a heat-resistant board under the pan.
- Warning: Danger of fire!

Keep the unit at a safe distance from easily inflammable objects such as furniture, curtains, etc. (30cm).

- Please ensure that the mains lead does not come into contact with the hot sections of the device. Do not touch the hot sections of the device; please use the buttons and handles provided.
- Allow the unit to cool down before you put it away.
- Never let any water get into the fat.
  
- Charcoal or similar fuels must not be used with this unit.

### WARNING: BURN HAZARD.

- During operation, the temperature of the appliance surface may be hot.
- The heating parts remain hot, long time after stopping the machine.
- The symbol "Hot Surface" warns the user that the apparatus walls may become hot, and to take precautions.



## GENERAL INFORMATION

The symbol "OPEN BOOK" means a recommendation to read important things contained in the record.



The symbol "BIN" crossed out, abbreviation WEEE (Waste of Electrical and Electronic Equipment) means that at the end of life, it should not be discarded with household waste, but filed to the sorting of the locality. Waste recovery can help preserve our environment.



The symbol "CE" is the guarantee of compliance with harmonized European standards, voluntary, reflecting the essential requirements into technical specifications. These standards are not mandatory but are guarantees of compliance with essential requirements.



The symbol "GLASS / FORK" means that the device is compatible and can come into contact with foodstuffs.



The symbol ROHS (Restriction of use of some Hazardous Substances) on the Environmental Protection, certifies that for each of the five hazardous substances • Lead • Mercury • (hexavalent) chromium • products for protection against flames PBB and PBDE, the peak concentration is equal to or less than 0.1% of the weight of homogeneous material, and 0.01% for the 6th • cadmium.



The symbol "HOT WALL" warns the user that the walls of the unit can become very hot, and to take precautions as required.



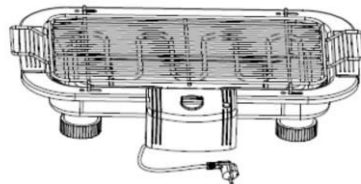
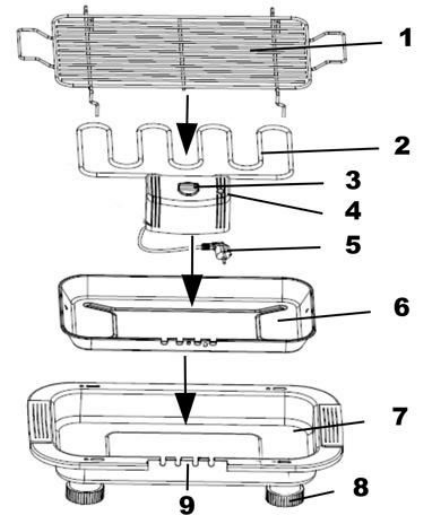
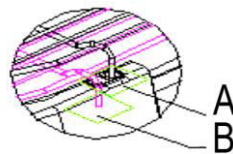
The symbol "TRIMAN" indicates that the consumer is invited to dispose the product as part of a separate collection (eg recycling bin, waste, voluntary intake point).



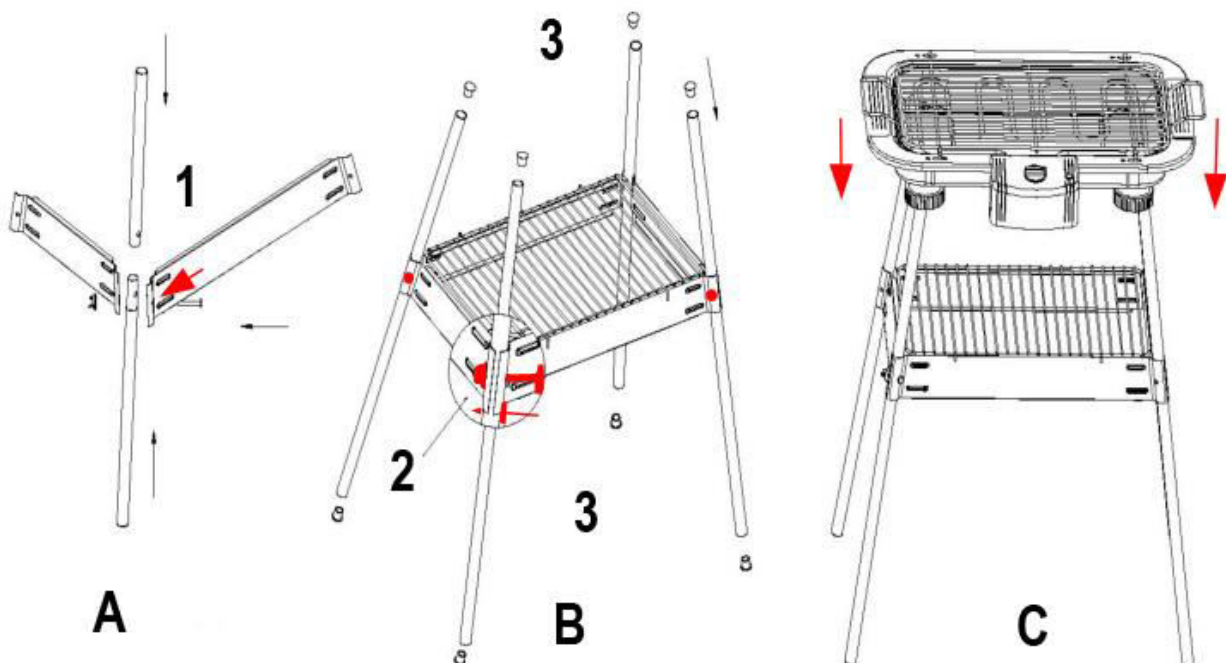
For more information : <http://www.quefairedemesdechets.fr>

### Overview of the Components

1. Grill grid 2 positions (A / B)
2. Heating element
3. Adjustable Thermostat
4. Pilot light
5. Electric Plug & wire
6. Water Tray for grease
7. Base of unit
8. Nonslip feet
9. Electric



### ASSEMBLY



- A. Assemble the tubes (1)
- B. Position the two support plates of the grid for accessories, at the middle of the assembled tubes. Pass a screw through one plate and through the tube hole and through the second plate (2).  
Screw the nut.  
Repeat for the 4 feet.  
Note : Be sure to position the grid on the stand before completely tightening the clamping butterflies.  
Put the caps (3) on each end of each tube.
- C. Place the BBQ on the top of tubes in introducing them into the holes of the feet.

## **FIRST USE**

- First, remove the heating element.
- Remove any packaging material that may be present.
- Clean the grilling grid and the grilling trough with a damp sponge or cloth.
- Assemble the grill.

Before using for the first time, fill the grill tray with water and use it for 15 minutes to remove the protective film from the heating coil. The presence of smoke is normal and will stop after few seconds or minutes.

Make sure that a sufficient level of ventilation is available.

## **USE**

- Unroll the power cord completely.
- Check that the tension in force in the country where you are corresponds to that indicated on the apparatus.
- Connect the apparatus in a socket-outlet in good state, and connected to the ground, to avoid any danger.
- Disconnect the power source cable before any operation of cleaning of maintenance and accessories assembly.
- Stand the appliance on a table or flat surface.
- Do not use or keep this product outside when it is raining.
- Certain parts of the appliance can get hot. Do not touch them, as you may burn yourself.
- Never modify the appliance in anyway.
- Insert the plug in a duly installed 230V/50Hz protective contact socket.
- Fill in the tray with cold water. (Keep 2cm from the upper edge).
- Turn the device on by the switch and wait for approximately 5 minutes until it has heated up.
- Lay the food directly on the grill grid.
- Never use plates, trays or aluminium foil beneath the food.
- The time to grill the food depends on its thickness. Thick foods are grilled more quickly by piercing it with metal skewers.

- Turn the food from time to time.
- The height of the grill grid can be varied. (2 positions)
- Should the water level drop below the MIN mark (= 0,4L) after continuous use, pull the plug from the socket and fill with water until the MAX mark is reached.
- Do not pour any cold water over the hot heating element. Otherwise this may be damaged.
- To Switch off the unit, Turn the thermostat button to 0 & Remove the plug.

## **CLEANING AND MAINTENANCE**

Before cleaning, Always : switch off the appliance, disconnect the apparatus and let it cool.

Clean the outside of the apparatus with a sponge or slightly wet linen.

The parts (removable) in contact with food like plate, bowl, forks, Spatula etc. can be washed in hot water with sponge and soft detergent or put in the dishwasher.

Never plunge the apparatus in water or all other liquid !

Do not use abrasive cleaners, gritting, or metal brush or another cutting object.

## **STORAGE**

-Ensure the unit is completely cool and dry.

-Do not wrap the cord around the appliance, as this will cause damage.

-Keep the appliance in a cool, dry place and out of reach from children.

## **GUARANTEE**

Before being delivered, all our products are subjected to a rigorous control.

This apparatus is guaranteed 24 months starting from the date of purchase of consumer.

The documents in proof of guarantee are :

- The invoice and
- The filled and stamped warrantee plate (located on side or bottom of the gift box). Without these documents in proof, no free replacement, nor no free repair, can be carried out.

During the warranty period, we deal for free, the defects of the apparatus or the accessories, rising from a defect of materials or manufacture by repair or, replacement. The services within the framework of the guarantee do not involve any extension of the warranty period and does not give right to a new guarantee ! In the event of recourse to the guarantee, bring back the complete apparatus to your retailer, in its original packing, accompanied by the proofs of purchase.

The breakage of parts out of glass or plastic is, in all the cases, not warranted.

Defects on the accessories or the wearing parts (for example: coals of engines, hooks, drive belts, remote control of replacement, teeth brushes of replacement, webs etc) as well as cleaning, maintenance or it replacement of wearing parts are not guaranteed and are thus to pay !

In the event of foreign intervention, the guarantee becomes null and void.  
After flow of the warranty period, repairs can be carried out, against payment, by a specialized trade or a repair service.

## SPECIFICATIONS

Power supply	220-240V~ 50/60Hz
Power	2000W
Norm	Class I

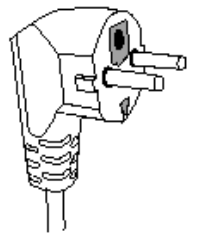
Made in P.R.C

*The characteristics can change without preliminary preventing*

This unit is equipped with an electrical outlet with earth and must be earthed in an according plug.

Note : In the event of question concerning the earth or electric connection, please consult a qualified personnel.

In the event of short-circuit, earthing reduces the risk of electric shock while making possible the current to be evacuated by the wire of ground.



**CAUTION:** In order to minimize the risks of electric shock, In the event of breakdown, not to open the case but to call upon a qualified technician for repairs.

This apparatus satisfied EC directives, it was controlled according to all the European current directives, like: electromagnetic compatibility (EMC) and low tension (LVD).

This apparatus was designed and manufactured in respect of the last safety regulations and technical specifications.

**Imported by Sotech International  
" LE PERIPOLE " N°A107  
33, Avenue du Marechal de Lattre de Tassigny  
94120 Fontenay sous bois - France**