

SMART ROBOT VACCUM CLEANER

Instruction manual



Dear consumer, Please read these instructions carefully before use in order to avoid damage due to incorrect use and to better understand the functions of this product. Please pay particular attention to the safety guide.

If you pass the device on to a third party, these Operating Instructions must also be handed over.

IMPORTANT SAFEGUARDS

- ❑ Please read these instructions carefully before use.
- ❑ Keep present instructions for future references.
- ❑ Check that your mains voltage corresponds to that stated on the appliance.
- ❑ Only use the appliance for domestic purposes and household or similar applications such as:
 - Staff kitchen areas, in shops, offices and other working environments;
 - By clients in hotels, motels and other residential type environments;
 - Environment type like :
 - Farm Houses • Bed and Breakfast.
- ❑ Only use the appliance in the way indicated in these instructions.
- ❑ Never use this unit near bathtub, shower, wash-hand basins or other containers with water.
- ❑ Never use this apparatus near water projections.
- ❑ Never use this apparatus with the wet hands.
- ❑ If, unfortunately the apparatus is wet, immediately withdraw the cord of the socket-outlet.
- ❑ Inform potential users of these instructions.
- ❑ Never leave the appliance unsupervised when in use.
- ❑ The appliance must be used only for its intended purpose. No responsibility can be taken for any possible damage caused by incorrect use or improper handling.
- ❑ Children and persons with disabilities are not always aware of the danger posed by the use of appliances.
- ❑ This device can be used by children aged 8 years and older and adults, with reduced physical, sensory or mental capabilities or lack of experience and knowledge, if they have been given supervision or instruction concerning use of the appliance in a safe way and understand the hazards involved.

- ❑ Children shall not play with the appliance.
- ❑ Cleaning and user maintenance shall not be made by children unless they are supervised.
- ❑ A hazard may occur if the robot runs over the supply cord.
- ❑ Keep the appliance and its cord out of reach of children aged less than 8 years of age when it is energized or cooling down.
- ❑ This device is not a toy, do not leave children or people with disabilities to play with.
- ❑ In order to ensure your children's safety, please keep all packaging (plastic bags, boxes, polystyrene etc.) out of their reach.
- ❑ Caution ! Do not allow small children to play with the foil :
THERE IS A DANGER OF SUFFOCATION !
- ❑ From time to time check the cord for damages. Never use the appliance if cord or appliance shows any signs of damage.
- ❑ Never immerse the appliance in water or any other liquid for any reason whatsoever.
- ❑ Never place it into the dishwasher.
- ❑ Never use the appliance near hot surfaces.
- ❑ Do not operate the appliance with a damaged cord or plug, or after the appliance has been damaged in any manner.
- ❑ Disconnect the power source cable before any operation of cleaning of maintenance and accessories assembly.
- ❑ Never use the appliance outside and always place it in a dry environment.
- ❑ Never use accessories, which are not recommended by the producer. They could constitute a danger to the user and risk to damage the appliance.
- ❑ The appliance is only to be used with the power supply unit provided with the appliance.
- ❑ The robot must only be supplied at safety extra low voltage corresponding to the marking on the appliance.
- ❑ Never move the appliance by pulling the cord. Make sure the cord cannot get caught in any way.

- ❑ Never wind the cord around the appliance and do not bend it
- ❑ Ensure that the power cord does not come into contact with hot parts of this unit.
- ❑ Make sure the appliance has cooled down before cleaning and storing it.
- ❑ The temperature of accessible surfaces may be very high when the appliance is operating. Never touch these parts, of apparatus, to avoid burning itself.
- ❑ Make sure the appliance never comes into contact with flammable materials, such as curtains, cloth, etc...& the power cord and plug do not come in contact with water.
- ❑ Before cleaning, always unplug the appliance from the power supply and let it cool down.
- ❑ This appliance is not intended to be operated by means of an external timer or separate remote-control system.
- ❑ Always remove the plug from the wall socket when the appliance is not in use.
- ❑ When using an extension lead always make sure that the entire cable is unwound from the reel. Use solely CE approved extension leads. Input power must be at least 16A, 250V, 3000W.
- ❑ Incorrect operation and improper use can damage the appliance and cause injury to the user.
- ❑ This device, designed for home use, complies with standards relating to this type of product.
- ❑ The item must not be left unattended when it is connected to main supply.
- ❑ The item is not to be used, if it has been dropped or if there are visible signs of damage or if it is leaking.
- ❑ This appliance is only intended for household use.

GENERAL INFORMATION

The symbol "OPEN BOOK" means a recommendation to read important things contained in the record.



The symbol "BIN" crossed out, abbreviation WEEE (Waste of Electrical and Electronic Equipment) means that at the end of life, it should not be discarded with household waste, but filed to the sorting of the locality. Waste recovery can help preserve our environment.



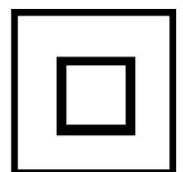
The symbol "CE" is the guarantee of compliance with harmonized European standards, voluntary, reflecting the essential requirements into technical specifications. These standards are not mandatory but are guarantees of compliance with essential requirements.



The symbol ROHS (Restriction of use of some Hazardous Substances) on the Environmental Protection, certifies that for each of the five hazardous substances • Lead • Mercury • (hexavalent) chromium • products for protection against flames PBB and PBDE, the peak concentration is equal to or less than 0.1% of the weight of homogeneous material, and 0.01% for the 6th • cadmium.



The symbol "DOUBLE SQUARE" means a double insulated. A basic insulation and supplementary insulation. This device requires no connection to the mass of a protective conductor grounded. The materials are said : double insulation class II.

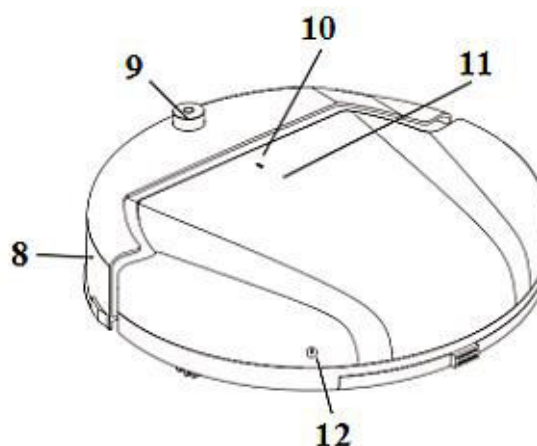
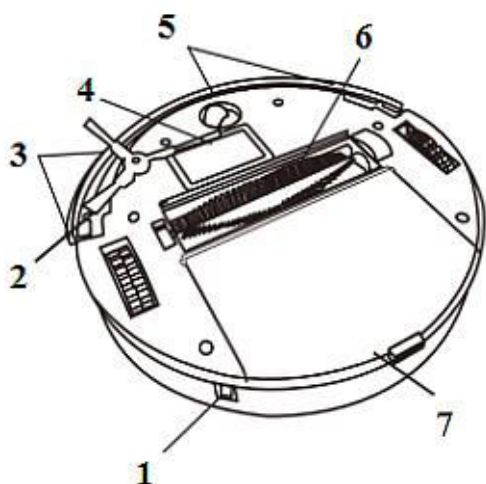


The symbol "TRIMAN" indicates that the consumer is invited to dispose the product as part of a separate collection (eg recycling bin, waste, voluntary intake point).



For more information : <http://www.quefairedemesdechets.fr>

DESCRIPTION



- | | |
|------------------------------------|-------------------------------------|
| 1. On / Off switch | 8. Shock absorber |
| 2. Rotating side brush | 9. Infrared sensor |
| 3. and 5. Fall down arrest sensors | 10. Indicator light |
| 4. Battery compartment | 11. Dust tank cover |
| 6. Main rotating brush | 12. Charging socket for AC adapter. |
| 7. Dust tank | |

IMPORTANT

- Read this manual carefully.
- Before using the appliance, check that the mains voltage corresponds to the voltage indicated on the rating plate.
- Always remove the plug from the power socket when the appliance is not in use and before carrying out any cleaning or maintenance operations.
- Always unplug the power cord before opening the unit.
- Never use methylated spirits or other solvents to clean the appliance.
- Do not use the device to aspirate liquids.
- Never leave the appliance unattended while it is on.
- This unit is for household use only.
- Do not use the device if it appears to be defective in any way.

- For repairs or accessories. Contact your dealer or an authorized service centre.
- Use only the battery supplied with the device. Do not replace it with non-rechargeable batteries.
- Do not pick up hard, sharp objects: lit matches, hot ashes, cigarette butts, or other similar items.
- Do not recover flammable liquids, cleaning products or aerosols.
- Do not use the appliance in a bathroom or laundry room.
- Do not use the appliance with objects: clothing, newspapers and / or electrical cords, dragging on the floor.
- Do not mount on the device.
- Fall down arrest sensor begins to operate 5 seconds after the power is on.
- Unplug the unit and remove the battery if it should not be used for a long time.

Notes : It is normal for the charger to heat to the touch while charging.

Fall down arrest sensor begins to operate 5 seconds after the power is on.

SETTING THE BATTERY

Make sure the unit is turned off and the plug is unplugged before installing the battery.



1. Open the battery compartment cover with a screwdriver.



2. Connect the battery to the device.



3. Insert the battery into its housing.

4. Replace the battery compartment cover and replace the screw.

DETAIL ON THE BATTERY

The battery is a rechargeable battery.

Make sure that the voltage indicated on the type plate is identical to that of the local current.

The battery should be charged indoors and protected from moisture.

When charging for the first time, the battery should be charged for 12 hours.

For the following charges, 8 hours will be sufficient.

Gently insert the charger plug into the power port of the device.

Do not use any other charger than the one supplied by the manufacturer.

Do not use the device if the battery connection is damaged.

Do not touch the charger plug or wires with wet hands.

BASIS OF RECHARGING

The charging device must be fixed to the wall or to a place holding it firmly by the back.

Do not leave any objects or obstacles around the charging device so that the device can come back on its base.

USE

- Unwind the power cord completely.
- Check that the voltage in the country where you are, corresponds to the voltage indicated on the device.
- Plug the unit into a good electrical outlet, (earthed if the device is class I), to avoid danger.
- Disconnect the power cable from the power supply before performing any maintenance cleaning and accessory fitting.
- Never modify the device.

1. Press the Start button to start the device.

The brush starts to spin and the device sucks.

2. At the end of use, press the On / Off button to stop the device.

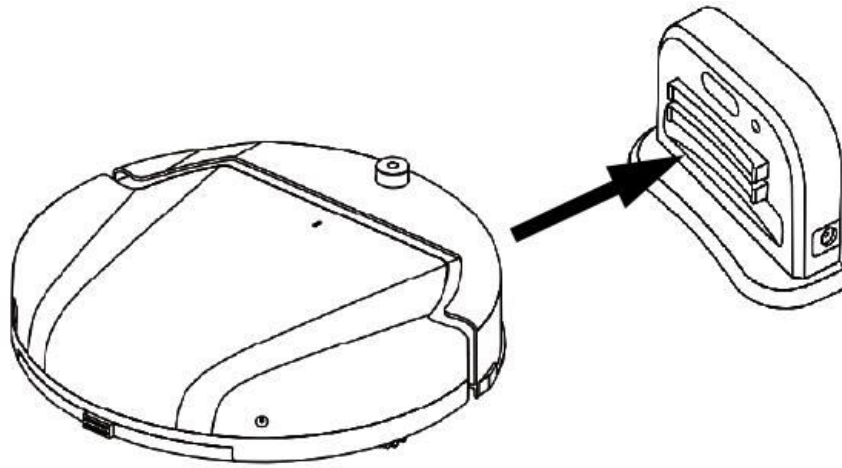
Automatic recharge

When the battery of the device starts to be discharged, the device will look for itself, to return to its charging base.

Caution: The range between the device and the charging device is +/- 3.0 m.

In this event, the device can receive the signal sent by the charging base and adjusts its shortest way to the charging device.

The device positions itself in front of the base and recharges.



DETAIL ON PILOT LIGHTS

Charging : The green indicator light flashes.

Charged Appliance : the green indicator light stays on.

Low battery : The brush stops working and the red indicator light Flashes quickly.
During the return to the charging base, the red indicator light flashes slowly.

The red indicator light stays on at the beginning of charging.

In use : If Cleaning is required - the green indicator light stays on.

CLEANING AND MAINTENANCE

Before cleaning, always switch off the appliance, disconnect the apparatus and let it cool.

Clean the outside of the apparatus with a sponge or slightly wet linen.

Open the lid of the dust container, empty it and clean it with a sponge or a slightly damp cloth.

Once dry, reattach the dust cover.

Never plunge the apparatus in water or all other liquid!

Do not use abrasive cleaners, gritting, or metal brush or another cutting object.

Notes: Do not wash the filter in a washing machine and do not dry it with an electric dryer.

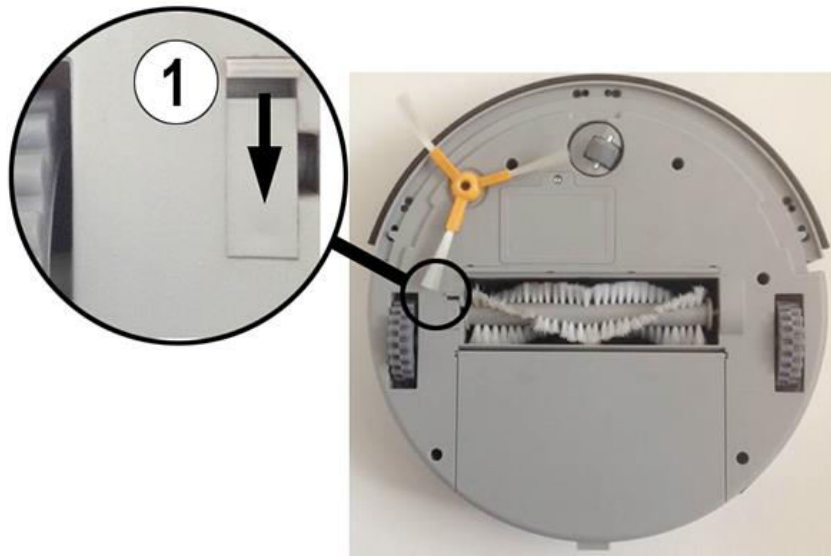
Do not clean the outside of the vacuum cleaner with gasoline oil or any other liquid.

Caution: The rotating brush could break if too much dirt adheres around. It is advisable to clean it after each use once a week.

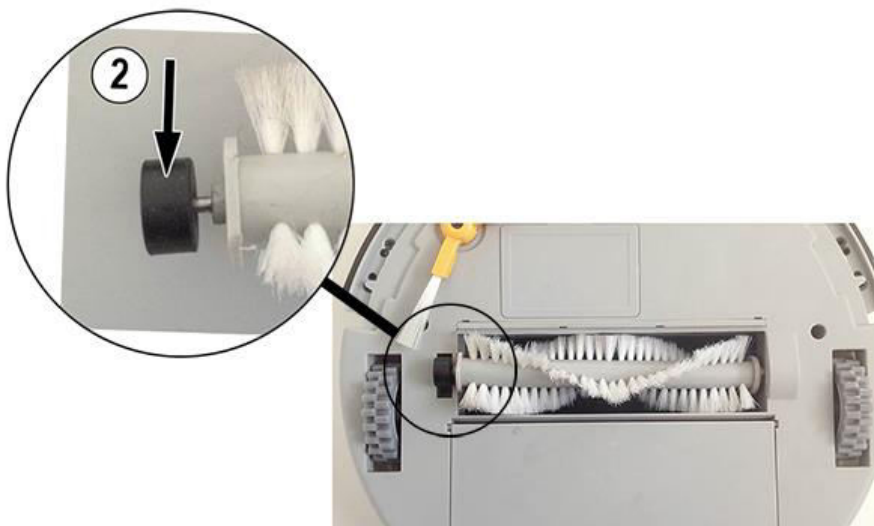
CLEANING THE BRUSH

Turn the unit up side down by placing it on a soft surface.

Remove the closing flap (1) by pushing it down and lifting it up.

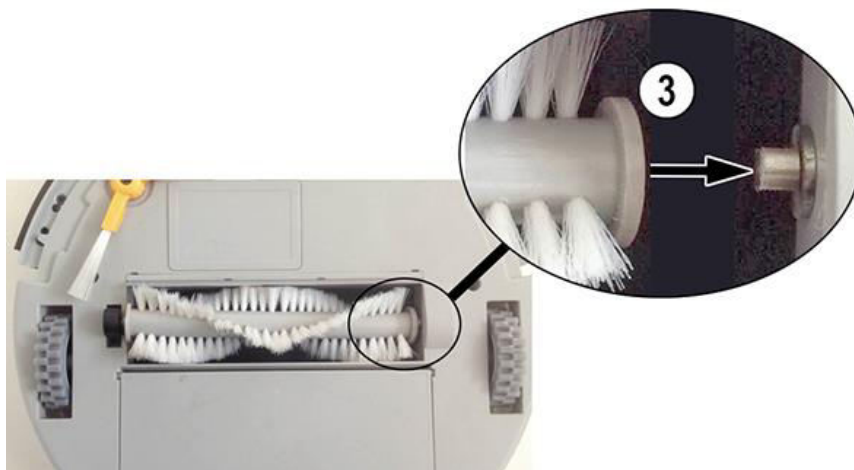


Remove the brush by lifting the drive wheel (2) and pulling the brush to the left.

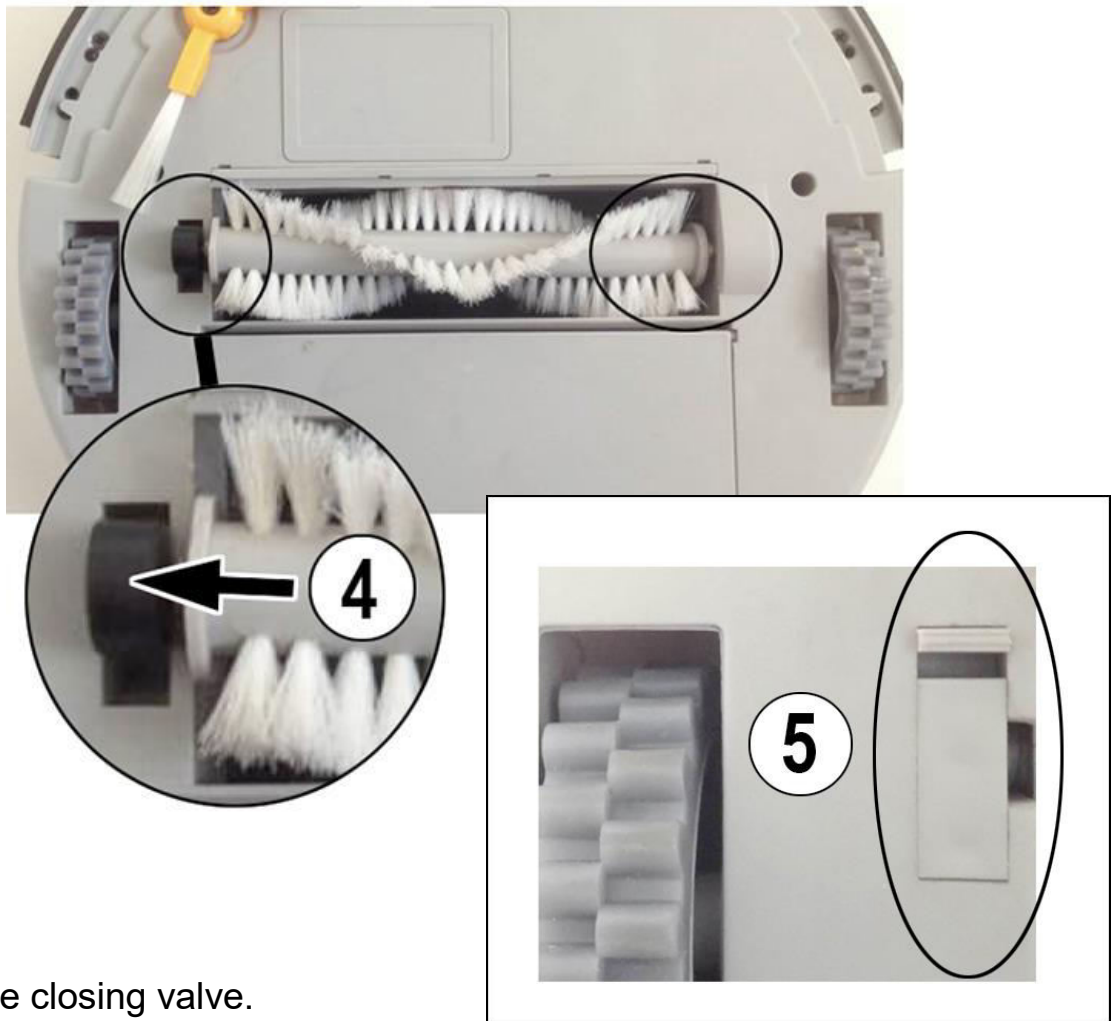


Clean the brush thoroughly. (if necessary, use a comb to remove the fibbers or hair caught in the bristles of the brush).

Reinsert the right part of the brush (3) on its axis



Press the drive wheel so that it resumes its place in the intended slot.



Replace (5) the closing valve.

STORAGE

- Ensure the unit is completely cool and dry.
- Do not wrap the cord around the appliance, as this will cause damage.
- Keep the appliance in a cool, dry place and out of reach from children.

GUARANTEE

Before being delivered, all our products are subjected to a rigorous control. This apparatus is guaranteed 24 months starting from the date of purchase by the consumer.

The documents in proof of guarantee are:

- The invoice and
- The filled and stamped warranty plate (located on side or bottom of the gift box). Without these documents in proof, no free replacement, nor no free repair, can be carried out.

During the warranty period, we deal for free, the defects of the apparatus or the accessories, rising from a defect of materials or manufacture by repair or, replacement. The services within the framework of the guarantee do not involve any extension of the warranty period and does not give right to a new guarantee! In the event of recourse to the guarantee, bring back the complete apparatus to your retailer, in its original packing, accompanied by the proofs of purchase. The breakage of parts out of glass or plastic is, in all the cases, not warranted. Defects on the accessories or the wearing parts (for example: coals of engines, hooks, drive belts, remote control of replacement, teeth brushes of replacement, webs etc) as well as cleaning, maintenance or it replacement of wearing parts are not guaranteed and are thus to pay! In the event of foreign intervention, the guarantee becomes null and void. After flow of the warranty period, repairs can be carried out, against payment, by a specialized trade or a repair service.

SPECIFICATIONS

Unit

Power supply 7.2V \equiv

Adapter

Input 230-240V~ 50Hz

Output 9V \equiv

Norm Class II

Made in PRC

The characteristics can change without prior notice.

ENVIRONMENTAL PROTECTION
(Destruction of Ni-MH or Ni-Cd batteries)

The appliance must be disconnected from the main power, when the battery is removed.

To remove the battery:

- Disassemble the unit and remove the battery.
- THE BATTERY MUST BE REMOVED BEFORE THE UNIT IS GIVEN TO REBUS.
- THE BATTERY MUST BE ELIMINATED IN A SAFE WAY. DO NOT THROW IN A TRASH CAN, BUT GIVE IN CENTRE OF WASTE.

CAUTION: In order to minimize the risks of electric shock, In the event of breakdown, not to open the case but to call upon a qualified technician for repairs.

This device complies with EC directives, it was controlled according to all current European directives, applicable such as: electromagnetic compatibility (EMC) and low voltage (LVD).

This device has been designed and manufactured in compliance with the latest regulations and technical requirements for safety.

Imported by Sotech International
" LE PERIPOLE " N°A-107
33, Avenue du Marechal de Lattre de Tassigny
94120 Fontenay sous-bois - France