

WIRELESS VACUUM CLEANER INSTRUCTION MANUAL



TAB-311

TAB-315



Dear consumer, Please read these instructions carefully before use in order to avoid damage due to incorrect use and to better understand the functions of this product. Please pay particular attention to the safety guide. If you pass the device on to a third party, these Operating Instructions must also be handed over. Please keep them for future references.

IMPORTANT SAFEGUARDS

- ❑ Please read these instructions carefully before use.
- ❑ Keep present instructions for future references.
- ❑ Check that your mains voltage corresponds to that stated on the appliance.
- ❑ Only use the appliance for domestic purposes and household or similar applications such as:
 - staff kitchen areas, in shops, offices and other working environments;
 - By clients in hotels, motels and other residential type environments;
 - Environment type like :
 - Farm Houses • Bed and Breakfast.
- ❑ Only use the appliance in the way indicated in these instructions.
- ❑ Never use this unit near bathtub, shower, wash-hand basins or other containers with water.
- ❑ Never use this apparatus near water projections.
- ❑ Never use this apparatus with the wet hands.
- ❑ If, unfortunately the apparatus is wet, immediately withdraw the cord of the socket-outlet.
- ❑ Inform potential users of these instructions.
- ❑ Never leave the appliance unsupervised when in use.
- ❑ The appliance must be used only for its intended purpose. No responsibility can be taken for any possible damage caused by incorrect use or improper handling.
- ❑ Children and persons with disabilities are not always aware of the danger posed by the use of appliances.
- ❑ This appliance can be used by children aged from 8 years and above and persons with reduced physical, sensory or mental capabilities or lack of experience and knowledge if they have been given supervision or instruction concerning use of the appliance in a safe way and understand the hazards involved.

- Children shall not play with the appliance.
- Cleaning and user maintenance shall not be made by children without supervision.
- The plug must be removed from the socket-outlet before cleaning or maintaining the appliance.
- This appliance contains batteries that are only replaceable by skilled persons.
- **WARNING:** For the purposes of recharging the battery, only use the detachable supply unit provided with this appliance.
- If the supply cord is damaged, it must be replaced by the manufacturer, its service agent or similarly qualified persons in order to avoid a hazard.
- In order to ensure your children's safety, please keep all packaging (plastic bags, boxes, polystyrene etc.) out of their reach.
- Caution ! Do not allow small children to play with the foil :
THERE IS A DANGER OF SUFFOCATION !
- From time to time check the cord for damages. Never use the appliance if cord or appliance shows any signs of damage.
- Never immerse the appliance in water or any other liquid for any reason whatsoever.
- Never place it into the dishwasher.
- Never use the appliance near hot surfaces.
- Do not operate the appliance with a damaged cord or plug, or after the appliance has been damaged in any manner.
- Disconnect the power source cable before any operation of cleaning of maintenance and accessories assembly.
- Never use the appliance outside and always place it in a dry environment.
- Never use accessories, which are not recommended by the producer. They could constitute a danger to the user and risk to damage the appliance.
- The appliance is only to be used with the power supply unit provided with the appliance.

- ❑ Never move the appliance by pulling the cord. Make sure the cord cannot get caught in any way.
- ❑ Never wind the cord around the appliance and do not bend it
- ❑ Ensure that the power cord does not come into contact with hot parts of this unit.
- ❑ Make sure the appliance has cooled down before cleaning and storing it.
- ❑ The temperature of accessible surfaces may be very high when the appliance is operating. Never touch these parts, of apparatus, to avoid burning itself.
- ❑ Make sure the appliance never comes into contact with flammable materials, such as curtains, cloth, etc...& the power cord and plug do not come in contact with water.
- ❑ Before cleaning, always unplug the appliance from the power supply and let it cool down.
- ❑ This appliance is not intended to be operated by means of an external timer or separate remote-control system.
- ❑ Always place the unit on a flat surface. Ensure, also, not to cover the device and not to put anything on it.
- ❑ Always remove the plug from the wall socket when the appliance is not in use.
- ❑ When using an extension lead always make sure that the entire cable is unwound from the reel. Use solely CE approved extension leads. Input power must be at least 16A, 250V, 3000W.
- ❑ Incorrect operation and improper use can damage the appliance and cause injury to the user.
- ❑ This device, designed for home use, complies with standards relating to this type of product.
- ❑ The appliance must be used and rested on a table or flat & stable surface.
- ❑ The item must not be left unattended when it is connected to main supply.
- ❑ The item is not to be used, if it has been dropped or if there are visible signs of damage or if it is leaking.

- Regarding the instructions for cleaning, thanks to refer to the below paragraph of the manual.
- This appliance is only intended for household use.
- Warning: Avoid spilling on the connector.
There is a potential risk of injury if used incorrectly.
The surface of the heating element may remain hot for some time after use.

(*) **Competent qualified person** : after sales department of the producer or importer or any person who is qualified, approved and competent to perform this kind of repairs.

GENERAL INFORMATION

The symbol "OPEN BOOK" means a recommendation to read important things contained in the record.



The symbol "BIN" crossed out, abbreviation WEEE (Waste of Electrical and Electronic Equipment) means that at the end of life, it should not be discarded with household waste, but filed to the sorting of the locality. Waste recovery can help preserve our environment.



The symbol "CE" is the guarantee of compliance with harmonized European standards, voluntary, reflecting the essential requirements into technical specifications. These standards are not mandatory but are guarantees of compliance with essential requirements.



The symbol ROHS (Restriction of use of some Hazardous Substances) on the Environmental Protection, certifies that for each of the five hazardous substances • Lead • Mercury • (hexavalent) chromium • products for protection against flames PBB and PBDE,



the peak concentration is equal to or less than 0.1% of the weight of homogeneous material, and 0.01% for the 6th • cadmium.

The symbol "TRIMAN" indicates that the consumer is invited to dispose the product as part of a separate collection (eg recycling bin, waste, voluntary intake point).



For more information : <http://www.quefairedemesdechets.fr>

ENVIRONMENTAL PROTECTION

(Destruction of batteries)

To remove the battery:

- Open the battery compartment and retrieve the battery or batteries.

The appliance must be disconnected from the supply mains when removing the battery.

- THE BATTERY MUST BE REMOVED BEFORE THE UNIT IS GIVEN TO REBUS.

- BATTERY CONTAINS NICKEL CADMIUM AND / OR LITHIUM AND / OR NICKEL-METAL HYDRIDE, THE BATTERY MUST BE ELIMINATED IN A SAFE WAY.

DO NOT THROW IN A TRASH CAN, BUT GIVE IN CENTRE OF WASTE.

CLEANING AND MAINTENANCE

Before cleaning, always: switch off the appliance, disconnect the apparatus and let it cool.

Clean the outside of the apparatus with a sponge or slightly wet linen.

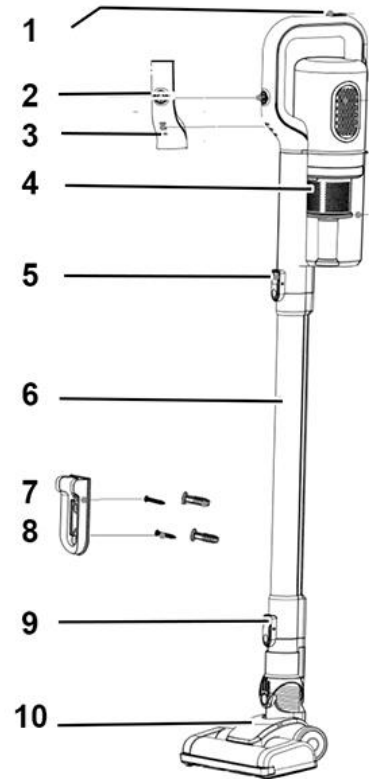
Never plunge the apparatus in water or all other liquid!

Do not use abrasive cleaners, gritting, or metal brush or another cutting object.

Remove the tube or accessory from the body of the appliance by pressing the release button.

TO KNOW THE DEVICE

1. Charging connector
2. On / Off switch
3. Indicator lights
4. Filter
5. Tube / vacuum cleaner connection
6. Extension tube
7. Wall support
8. screws + dowels
9. Tube connection / Rotary brush
10. Rotating brush



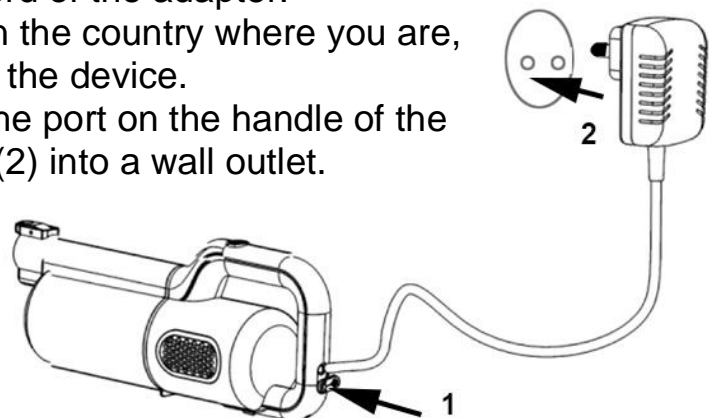
WALL MOUNTING

Fix the base to the wall using the two wall plugs and two screws provided.

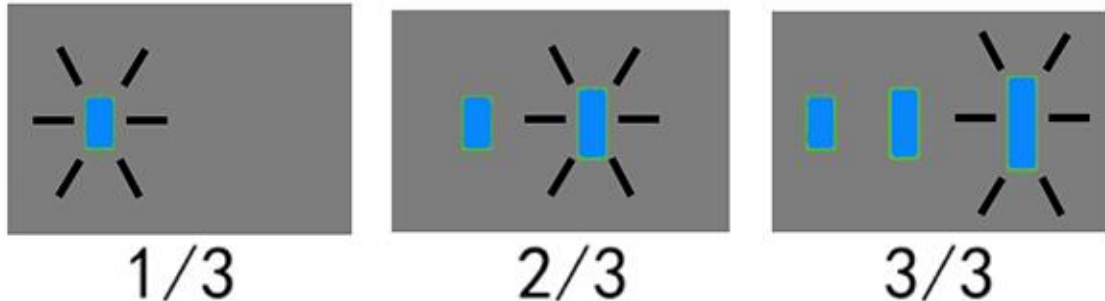
Note: Provide a place high enough to hang the device with the tube and the rotating brush.

CHARGING THE LITHIUM ION BATTERY

- Completely unwind the power cord of the adapter.
- Check that the voltage in force in the country where you are, corresponds to that indicated on the device.
- Connect the battery charger to the port on the handle of the device (1) and plug the charger (2) into a wall outlet.

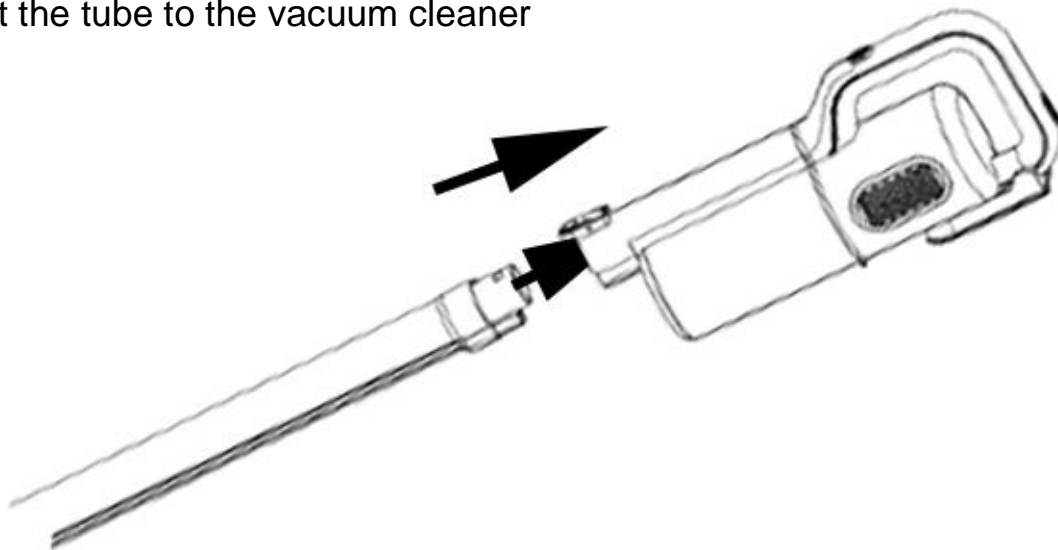


As the battery charges, the blue lights first flash, then light steadily, and all the lights turn blue when fully charged. These will go out after a short time. This transition to rest mode is used to preserve the life of the battery, by long term, and allows the battery to stay connected to the charger, even after reaching full charge.



Before use

1. Connect the tube to the vacuum cleaner

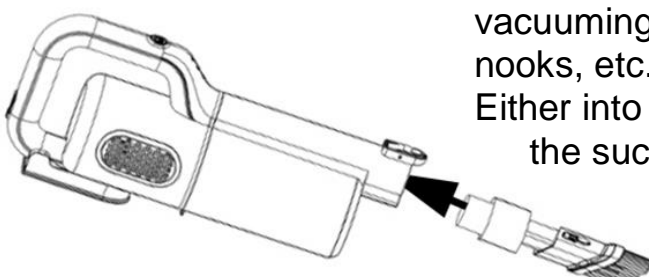


2. Install as desired:

- a. the electric rotary brush by inserting it with caution at the other end of the tube.

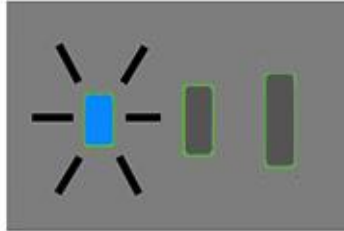
Note : It is also possible to connect the rotary brush directly to the device.

- b. Install the "3-in-1" accessory (for vacuuming Furniture, Pillows, nooks, etc.) by carefully inserting it Either into the tube, Or directly on the suction connection of the device.



CHARGING INDICATOR

During use, the battery discharges, the 3 charge indicator lights go out one by one. When the Lithium ION battery is discharged, and there is less than 5% charge, the last LED flashes, indicating that a charge is necessary.



- Always disconnect the power cable from the electrical network before performing any maintenance cleaning and fitting accessories.
- Never modify the device.

USE

Press the on / off switch for 2 seconds to start the vacuum cleaner.

The indicators light on.

Note : By default, the vacuum cleaner starts at slow speed !

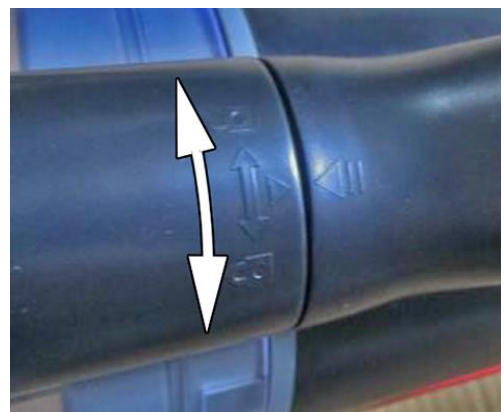
To switch to high speed, press the "on" switch again.

To stop the appliance, press the switch a third time.

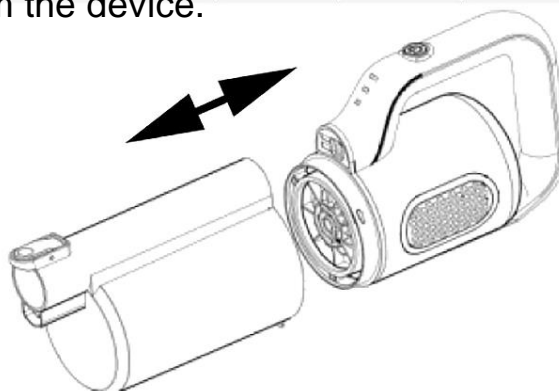
The indicators light off.

EMPTYING THE DUST AND CLEANING THE FILTERS

Remove the tube or the accessory, from the body of the device, by pressing the release button.



remove the dust container from the device.



Take out the filter and its support and empty the dust container above a dustbin. Clean the tank and reassemble the assembly on the vacuum cleaner

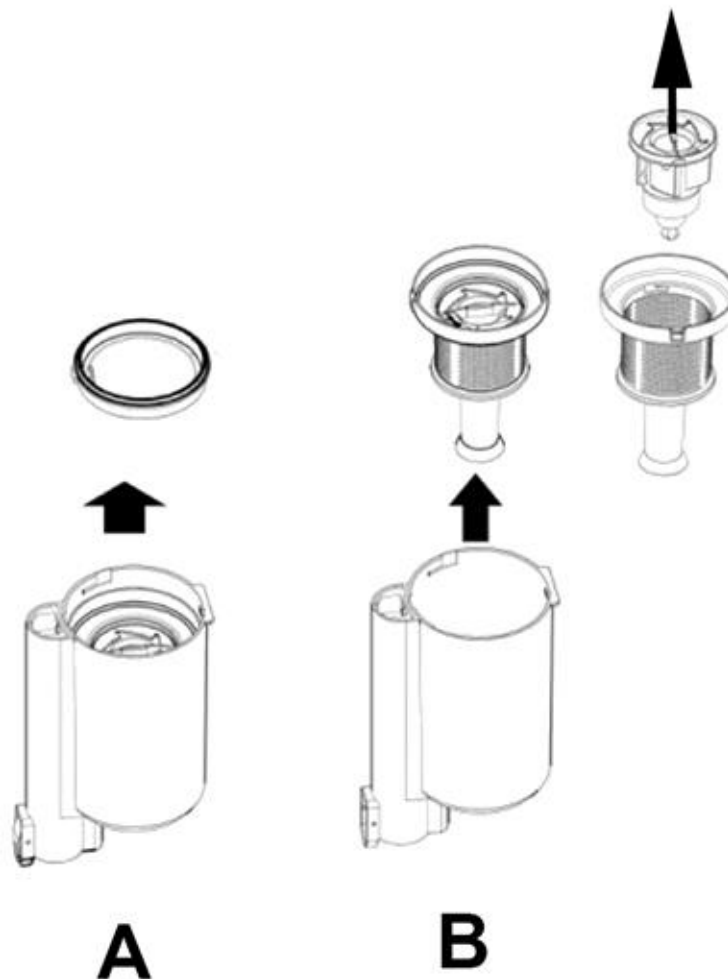
CLEANING THE FILTERS

A. To clean the foam filter,

1. remove the filter cover on top of the dust container and slide the foam filter.
2. Rinse the foam filter and the filter frame under running water. If necessary, tap lightly on the filter during washing to remove the dirt.
3. Once rinsed and dry, replace the foam filter in its housing. Replace the round cover on the filter.

B. To clean the felt filter,

1. Remove the felt filter. Rinse it off with water. Let dry.
2. When completely dry, reinsert the felt filter and close the filter cover.



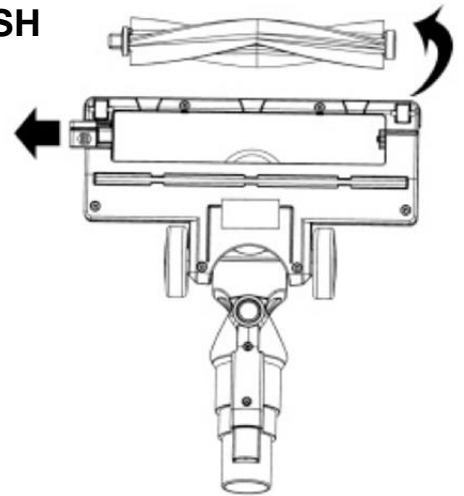
CLEANING THE ROTARY BRUSH

If the brush is clogged, with threads or dirt, the suction will be less good.

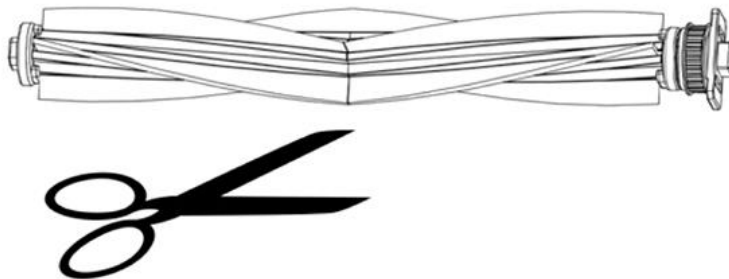
Stop, the device. Detach the rotating brush from the hose and turn it over.

Open the brush cover by sliding the release button(s) towards the outside of the appliance.

Lift the roller and remove it from its housing.



Pass scissors along the guide to remove any hair or debris that may have wrapped around the brush roller.



If necessary, wash the flexible roller with water, (possibly with a dishes detergent). Rinse, Leave to air dry for at least 24 hours.

Replace the roller and close the brush cover by inserting the tabs on the cover into the slots in the brush.

Press the cover, above the casters, until the two sides click into place.

STORAGE

- Ensure the unit is completely cool and dry.
- Do not wrap the cord around the appliance, as this will cause damage. Keep the appliance in a cool, dry place and out of reach from children.

GUARANTEE

Before being delivered, all our products are subjected to a rigorous control. This apparatus is guaranteed 24 months starting from the date of purchase by the consumer.

The documents in proof of guarantee are :

- The invoice and
- The filled and stamped warranty plate (located on side or bottom of the gift box). Without these documents in proof, no free replacement, nor no free repair, can be carried out.

During the warranty period, we deal for free, the defects of the apparatus or the accessories, rising from a defect of materials or manufacture by repair or, replacement. The services within the framework of the guarantee do not involve any extension of the warranty period and does not give right to a new guarantee! In the event of recourse to the guarantee, bring back the complete apparatus to your retailer, in its original packing, accompanied by the proofs of purchase. The breakage of parts out of glass or plastic is, in all the cases, not warranted. Defects on the accessories or the wearing parts (for example: coils of engines, hooks, drive belts, remote control of replacement, teeth brushes of replacement, webs etc) as well as cleaning, maintenance or it replacement of wearing parts are not guaranteed and are thus to pay!

In the event of foreign intervention, the guarantee becomes null and void. After flow of the warranty period, repairs can be carried out, against payment, by a specialized trade or a repair service.

SPECIFICATIONS

Unit

Power supply 22.2V DC 120W

Brush

Power supply 22.2V DC 10W

Adaptor

Input Power supply 100-240V~ 50-60Hz 24W.
Output Power 3,0-42V DC – 50-2100mA 13W max.
Norm Class II

Battery

Type Lithium
Power 22,2V DC 2000mAh
Made in P.R.C

The characteristics can change without prior notice.

The general-purpose for this vacuum cleaner (models TAB-311 or 315), has been tested according standard EN 60312-1: 2017 and complies with the essential requirements of regulation (EU) 666/2013 for vacuum cleaners.

Disconnect the power cable from the electrical main power before any maintenance cleaning and fitting of accessories.

The device should not be exposed to humidity or rain

CAUTION: In the event of a defect, do not open the housing but call a qualified technician for repairs.

This apparatus satisfied EC directives, it was controlled according to all the European current directives, like: electromagnetic compatibility (EMC) and low tension (LVD).

This apparatus was designed and manufactured in respect of the last safety regulations and technical specifications.

**Imported by Sotech International
" LE PERIPOLE " N°A-107
33, Avenue du Marechal de Lattre de Tassigny
94120 Fontenay sous-bois - France**